

USER'S MANUAL  
BEDIENUNGSANLEITUNG  
MANUEL D'UTILISATION  
MANUAL DE USUARIO  
INSTRUKCJA OBSŁUGI  
MANUALE D'USO



# MAUI G2 INSTALLATION KIT

**LDMG2IK1(W)** PARALLEL WALL MOUNT

**LDMG2IK2(W)** TILT AND SWIVEL

**LDMG2SPS(W)** FLOOR STAND

# CONTENTS / INHALTSVERZEICHNIS / CONTENU / CONTENIDO / TREŚĆ / CONTENUTO

## ENGLISH

PREVENTIVE MEASURES	3-4
INTRODUCTION	4
COMPONENTS	4-5
ADAPTER FOR SPEAKER COLUMN	6
ADAPTER FOR SUBWOOFER	6
WALL MOUNTING LDMG2IK1	7
DIMENSIONS OF MOUNTING RAIL	8
WALL MOUNTING LDMG2IK2	9
DIMENSIONS OF MOUNTING PLATE	10
POSITIONING TILT & SWIVEL BRACKET	10
MOUNTING LDMG2SPS	11
TECHNICAL DATA	12-14
MANUFACTURER'S DECLARATIONS	14

## DEUTSCH

SICHERHEITSHINWEISE	15-16
EINFÜHRUNG	16
KOMPONENTEN	16-17
ADAPTER FÜR LAUTSPRECHERSÄULE	18
ADAPTER FÜR SUBWOOFER	18
WANDMONTAGE LDMG2IK1	19
ABMESSUNGEN MONTAGESCHIENE	20
WANDMONTAGE LDMG2IK2	21
ABMESSUNGEN MONTAGEPLATTE	22
POSITIONIERUNG KIPP- & SCHWENKHALTER	22
MONTAGE LDMG2SPS	23
TECHNISCHE DATEN	24-26
HERSTELLERERKLÄRUNGEN	26

## FRANCAIS

MESURES PRÉVENTIVES	27-28
INTRODUCTION	28
COMPOSANTS	28-29
ADAPTATEUR POUR LA COLONNE D'ENCEINTES	30
ADAPTATEUR POUR LE CAISSON DE BASSES	30
MONTAGE MURAL DU LDMG2IK1	31
DIMENSIONS DU RAIL DE MONTAGE	32
MONTAGE MURAL DU LDMG2IK2	33
DIMENSIONS DE LA PLAQUE DE MONTAGE	34
POSITIONNEMENT DU SUPPORT INCLINABLE ET ORIENTABLE	34
MONTAGE DU LDMG2SPS	35
CARACTÉRISTIQUES TECHNIQUES	36-38
DÉCLARATIONS DU FABRICANT	38

## ESPAÑOL

MEDIDAS DE SEGURIDAD	39-40
INTRODUCCIÓN	40
COMPONENTES	40-41
ADAPTADOR PARA COLUMNA DE ALTAVOCES	42
ADAPTADOR PARA SUBWOOFER	42
MONTAJE MURAL LDMG2IK1	43
DIMENSIONES DEL RIEL DE MONTAJE	44
MONTAJE MURAL LDMG2IK2	45
DIMENSIONES DE LA PLACA DE MONTAJE	46
POSICIONAMIENTO DEL SOPORTE BASCULANTE Y GIRATORIO	46
MONTAJE LDMG2SPS	47
DATOS TÉCNICOS	48-50
DECLARACIONES DEL FABRICANTE	50

## POLSKI

ŚRODKI OSTROŻNOŚCI	51-52
WPROWADZENIE	52
KOMPONENTY	52-53
ADAPTER DO KOLUMNY GŁOŚNIKOWEJ	54
ADAPTER DO SUBWOOFERA	54
MONTAŻ ŚCIENNY LDMG2IK1	55
WYMIARY SZYNY MONTAŻOWEJ	56
MONTAŻ ŚCIENNY LDMG2IK2	57
WYMIARY PŁYTKI MONTAŻOWEJ	58
MIEJSCE ZAMOCOWANIA UCHWYTU PRZECHYLN-OBROTOWEGO	58
MONTAŻ LDMG2SPS	59
DANE TECHNICZNE	60-62
OŚWIADCZENIA PRODUCENTA	62

## ITALIANO

MISURE PRECAUZIONALI	63-64
INTRODUZIONE	64
COMPONENTI	64-65
ADATTATORE PER COLONNA DEGLI ALTOPARLANTI	66
ADATTATORE PER SUBWOOFER	66
MONTAGGIO A PARETE LDMG2IK1	67
MISURE DELLA GUIDA DI MONTAGGIO	68
MONTAGGIO A PARETE LDMG2IK2	69
MISURE DELLA PIASTRA DI MONTAGGIO	70
POSIZIONAMENTO DEL SUPPORTO INCLINABILE E ORIENTABILE	70
MONTAGGIO LDMG2SPS	71
DATI TECNICI	72-74
DICHIARAZIONI DEL PRODUTTORE	74

**YOU'VE MADE THE RIGHT CHOICE!**

We have designed this product to operate reliably over many years. LD Systems stands for this with its name and many years of experience as a manufacturer of high-quality audio products. Please read this User's Manual carefully, so that you can begin making optimum use of your LD Systems product quickly.

You can find more information about **LD-SYSTEMS** at our Internet site [WWW.LD-SYSTEMS.COM](http://WWW.LD-SYSTEMS.COM)

**PREVENTIVE MEASURES**

1. Please read these instructions carefully.
2. Keep all information and instructions in a safe place.
3. Follow the instructions.
4. Observe all safety warnings. Never remove safety warnings or other information from the equipment.
5. Use the equipment only in the intended manner and for the intended purpose.
6. Use only sufficiently stable and compatible stands and/or mounts (for fixed installations). Make certain that wall mounts are properly installed and secured. Make certain that the equipment is installed securely and cannot fall down.
7. During installation, observe the applicable safety regulations for your country.
8. Never install and operate the equipment near radiators, heat registers, ovens or other sources of heat. Make certain that the equipment is always installed so that is cooled sufficiently and cannot overheat.
9. Never place sources of ignition, e.g., burning candles, on the equipment.
10. Ventilation slits must not be blocked.
11. Do not use this equipment in the immediate vicinity of water (does not apply to special outdoor equipment - in this case, observe the special instructions noted below. Do not expose this equipment to flammable materials, fluids or gases. Avoid direct sunlight!
12. Make certain that dripping or splashed water cannot enter the equipment. Do not place containers filled with liquids, such as vases or drinking vessels, on the equipment.
13. Make certain that objects cannot fall into the device.
14. Use this equipment only with the accessories recommended and intended by the manufacturer.
15. Do not open or modify this equipment.
16. After connecting the equipment, check all cables in order to prevent damage or accidents, e.g., due to tripping hazards.
17. During transport, make certain that the equipment cannot fall down and possibly cause property damage and personal injuries.
18. If your equipment is no longer functioning properly, if fluids or objects have gotten inside the equipment or if it has been damaged in another way, switch it off immediately and unplug it from the mains outlet (if it is a powered device). This equipment may only be repaired by authorized, qualified personnel.
19. Clean the equipment using a dry cloth.
20. Comply with all applicable disposal laws in your country. During disposal of packaging, please separate plastic and paper/cardboard.
21. Plastic bags must be kept out of reach of children.

**FOR EQUIPMENT THAT CONNECTS TO THE POWER MAINS**

22. CAUTION: If the power cord of the device is equipped with an earthing contact, then it must be connected to an outlet with a protective ground. Never deactivate the protective ground of a power cord.
23. If the equipment has been exposed to strong fluctuations in temperature (for example, after transport), do not switch it on immediately. Moisture and condensation could damage the equipment. Do not switch on the equipment until it has reached room temperature.
24. Before connecting the equipment to the power outlet, first verify that the mains voltage and frequency match the values specified on the equipment. If the equipment has a voltage selection switch, connect the equipment to the power outlet only if the equipment values and the mains power values match. If the included power cord or power adapter does not fit in your wall outlet, contact your electrician.
25. Do not step on the power cord. Make certain that the power cable does not become kinked, especially at the mains outlet and/or power adapter and the equipment connector.
26. When connecting the equipment, make certain that the power cord or power adapter is always freely accessible. Always disconnect the equipment from the power supply if the equipment is not in use or if you want to clean the equipment. Always unplug the power cord and power adapter from the power outlet at the plug or adapter and not by pulling on the cord. Never touch the power cord and power adapter with wet hands.
27. Whenever possible, avoid switching the equipment on and off in quick succession because otherwise this can shorten the useful life of the equipment.
28. IMPORTANT INFORMATION: Replace fuses only with fuses of the same type and rating. If a fuse blows repeatedly, please contact an authorised service centre.
29. To disconnect the equipment from the power mains completely, unplug the power cord or power adapter from the power outlet.
30. If your device is equipped with a Volex power connector, the mating Volex equipment connector must be unlocked before it can be removed. However, this also means that the equipment can slide and fall down if the power cable is pulled, which can lead to personal injuries and/or other damage. For this reason, always be careful when laying cables.
31. Unplug the power cord and power adapter from the power outlet if there is a risk of a lightning strike or before extended periods of disuse.

**CAUTION:**

To reduce the risk of electric shock, do not remove cover (or back). There are no user serviceable parts inside. Maintenance and repairs should be exclusively carried out by qualified service personnel.



The warning triangle with lightning symbol indicates dangerous uninsulated voltage inside the unit, which may cause an electrical shock.



The warning triangle with exclamation mark indicates important operating and maintenance instructions.



Warning! This symbol indicates a hot surface. Certain parts of the housing can become hot during operation. After use, wait for a cool-down period of at least 10 minutes before handling or transporting the device.



Warning! This device is designed for use below 2000 metres in altitude.



Warning! This product is not intended for use in tropical climates.

**CAUTION! HIGH VOLUMES IN AUDIO PRODUCTS!**

This device is meant for professional use. Therefore, commercial use of this equipment is subject to the respectively applicable national accident prevention rules and regulations. As a manufacturer, Adam Hall is obligated to notify you formally about the existence of potential health risks.

Hearing damage due to high volume and prolonged exposure: When in use, this product is capable of producing high sound-pressure levels (SPL) that can lead to irreversible hearing damage in performers, employees, and audience members. For this reason, avoid prolonged exposure to volumes in excess of 90 dB.

**NOTE:** This equipment has been tested and found to comply with the limits for a Class B digital device, pursuant to Part 15 of the FCC Rules. These limits are designed to provide reasonable protection against harmful interference in a residential installation. This equipment generates, uses and can radiate radio frequency energy and, if not installed and used in accordance with the instructions, may cause harmful interference to radio communications. However, there is no guarantee that interference will not occur in a particular installation. If this equipment does cause harmful interference to radio or television reception, which can be determined by turning the equipment off and on, the user is encouraged to try to correct the interference by one or more of the following measures:

- Reorient or relocate the receiving antenna.
- Increase the separation between the equipment and receiver.
- Connect the equipment into an outlet on a circuit different from that to which the receiver is connected.
- Consult the dealer or an experienced radio/TV technician for help.

**INTRODUCTION**

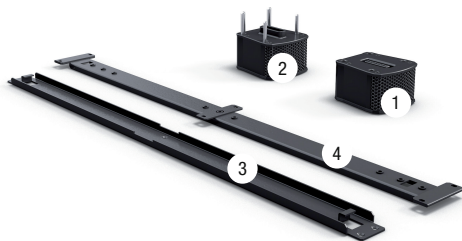
The mounting kits for the MAUI G2 series speaker columns facilitate elegant, discreet and flexible installation. The set includes two adapters with speakON-compatible sockets, terminal block connections and multi-pin sockets for connecting the column to the subwoofer. All sets are available in black or white.

**COMPONENTS****Installation kit for parallel wall mounting of MAUI 11 G2 and MAUI 28 G2 speaker columns**

LDMG2IK1 (black)

LDMG2IK1W (white)

1. Adapter for connecting to the speaker column (with speakON-compatible connection and terminal block connections)
2. Adapter for connecting to the MAUI G2 subwoofer (with speakON-compatible connection and terminal block connections)
3. Mounting rail for vertical mounting on a wall
4. Hanging bracket for attaching to the speaker column  
(1 x set of screws for attaching the hanging bracket to the speaker column and 1 x locking screw included. Tools required: 3 mm and 4 mm Allen keys or internal hex socket)



### Installation kit with tilt and swivel mechanism for wall mounting the MAUI 11 G2 and MAUI 28 G2 speaker columns

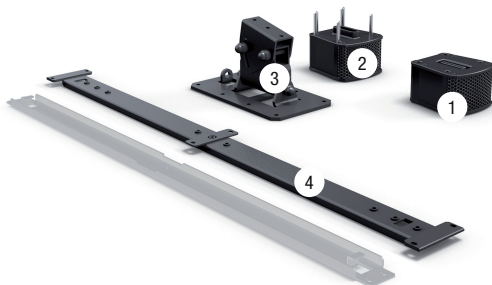
LDMG2IK2 (black)

LDMG2IK2W (white)

1. Adapter for connecting to the speaker column (with speakON-compatible connection and terminal block connections)
2. Adapter for connecting to the MAUI G2 subwoofer (with speakON-compatible connection and terminal block connections)
3. Tilt and swivel bracket for vertical wall mounting
4. Mounting bracket for attaching to the speakers column (the mounting rail is greyed out in the picture. It is included for logistical reasons, but is not required for this type of installation)

(1 x set of screws for attaching the hanging bracket to the speaker column and the tilt and swivel bracket to the hanging bracket included.)

Tools required: 3 mm and 4 mm Allen keys or internal hex socket)



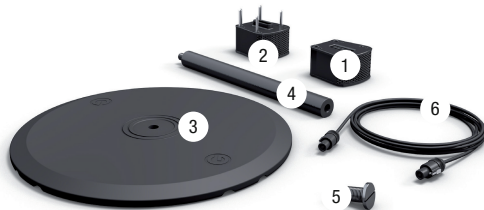
### Floor stand kit for MAUI 11 G2 and MAUI 28 G2 speaker columns

LDMG2SPS (black)

LDMG2SPSW (white)

1. Adapter for connecting to the speaker column (with speakON-compatible connection and terminal block connections)
2. Adapter for connecting to the MAUI G2 subwoofer (with speakON-compatible connection and terminal block connections)
3. Cast iron base for attaching to the rod attachment or the column adapter
4. Rod attachment (height 55 cm) with M20 threaded bolt at the upper end and M20 thread at the lower end
5. M20 bolt for connecting the rod attachment or the column adapter to the cast iron base
6. 4-wire connection cable with speakON-compatible connectors

(tools required: large flat screwdriver, 3 mm Allen key or hex socket)



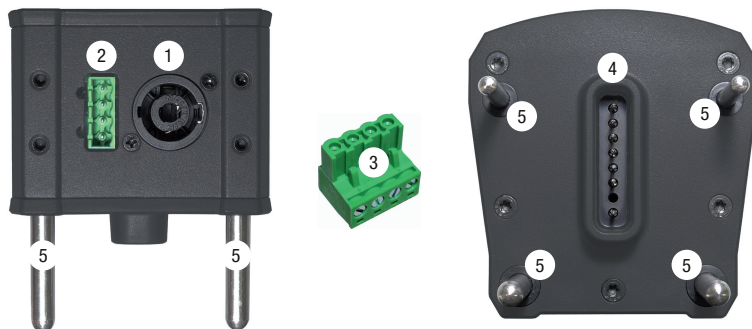
## ADAPTER FOR SPEAKER COLUMN

1. speakON-compatible connector for connecting the column adapter to the subwoofer adapter The speakON-compatible connector is wired in parallel with the terminal block connector (2).
2. Terminal block connector for connecting the column adapter to the subwoofer adapter The terminal block connector is wired in parallel with the speakON-compatible connector (1).
3. Terminal block connector, 4-pole
4. Threaded grub screw (3mm hex) to lock the rear steel bolt after attaching to the speaker column
5. Multipin connector for sending speaker signal to the speaker column
6. Rubberised guide holes for correct assembly and firm grip on the speaker column
7. M20 thread for connecting the column adapter to the rod attachment or the base



## ADAPTER FOR SUBWOOFER

1. speakON-compatible connector for connecting the subwoofer adapter to the column adapter The speakON-compatible connector is wired in parallel with the terminal block connector (2).
2. Terminal block connector for connecting the subwoofer adapter to the column adapter The terminal block connector is wired in parallel with the speakON-compatible connector (1).
3. Terminal block connector, 4 pole
4. Multipin connector for sending speaker signal to the speaker column
5. Steel guide pins for correct assembly and firm grip on the subwoofer



## WALL MOUNTING LDMG2IK1

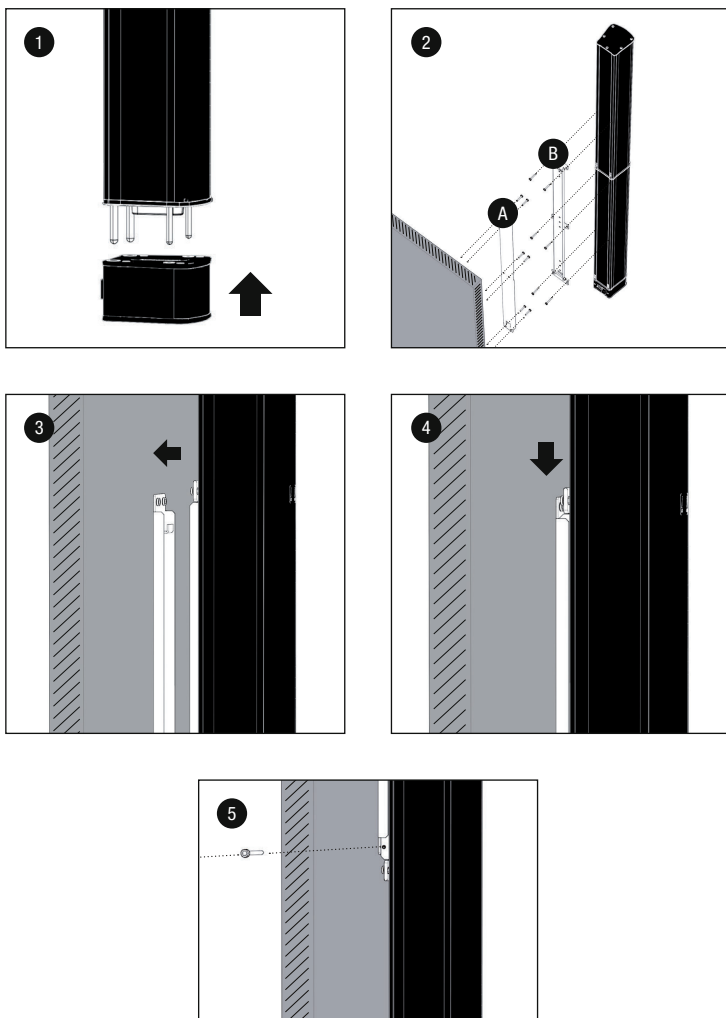
1. Attach the two supplied terminal block connectors to a 4-core speaker cable (4 x 1.5 mm<sup>2</sup>), ensuring that they are wired in parallel (see printed configuration on adapter) and plug the connectors into the designated column and subwoofer terminals on the adapters. Now, from underneath, push the adapter with the 4 rubberised holes on to the speaker column as far as it will go (slightly loosen the 3 mm hexagonal grub screw if necessary) and secure to the adapter using the two grub screws. The electrical contact for the signal supply to the speaker column will be automatically established.

2. Using screws, attach mounting rail A in a suitable position to a solid wall, with its flat side and with the tabs facing upwards (6 screws, "THIS SIDE UP" facing upwards). Use suitable screws and plugs etc. to ensure secure mounting. Remove the 6 grub screws (3 mm hexagonal socket) from the appropriate locations on the rear of the speaker column and attach the flat side of the mounting bracket B to the MAUI G2 speaker column using the supplied bolts (M5 x 10 mm, 4 mm hexagonal socket). Observe the instruction "THIS SIDE UP" on the mounting bracket.

3. + 4. Now slide the speaker column with the mounting bracket rail into the mounting rail on the wall in such a way that the retaining tabs on the mounting rail slot into the recesses of the mounting bracket, and then push the column downwards into its fixed location (approx. 10 mm).

5. Secure installation with the supplied locking screw (M4, 3 mm hexagonal socket). The corresponding thread is located at the base of the speaker column mounting bracket.

6. From above, now push the adapter with the steel pins onto the subwoofer as far as it will go.



# DIMENSIONS OF MOUNTING RAIL

ENGLISH

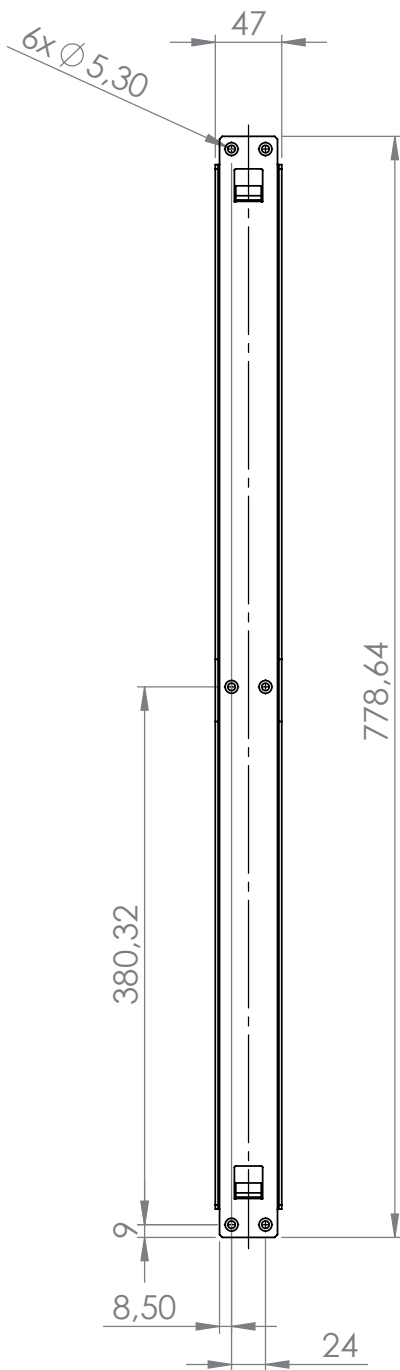
DEUTSCH

FRANCAIS

ESPAÑOL

POLSKI

ITALIANO





## WALL MOUNTING LDMG2IK2

1. Remove the 6 grub screws (3 mm hexagonal socket) from the appropriate locations on the rear of the speaker column and attach the flat side of mounting bracket A to the MAUI G2 speaker column using the supplied bolts (M5 x 10 mm, 4 mm hexagonal socket). Observe the instruction "THIS SIDE UP" on the mounting bracket (this side facing upwards).

2. Slightly loosen bolt E (do not remove), loosen and remove bolt D from the tilt & swivel arm, remove and lift the U-bracket B from its mounting. Firmly attach U-bracket B in the desired position on mounting bracket A with the 3 supplied screws (M5 x 10 mm, 4 mm hex socket) (for maximum tilt, use the lowest of the 3 positions – MAUI 11 G2 = max. 22°, MAUI 28 G2 = max. 12°).

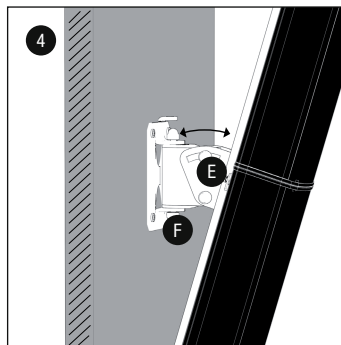
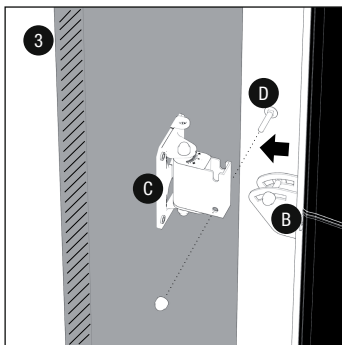
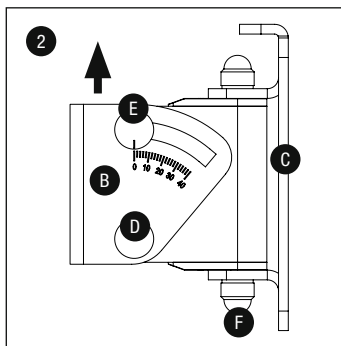
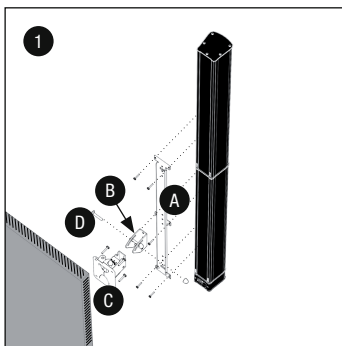
Using screws, attach mounting plate C vertically in a suitable position to a solid wall with its flat side and safety eyelet facing upwards (6 screws). Use suitable screws and plugs etc. to ensure secure mounting.

Now attach the two supplied terminal block connectors to a 4-core speaker cable (4 x 1.5 mm<sup>2</sup>), ensuring that they are wired in parallel (see printed configuration on adapter) and plug the connectors into the designated column and subwoofer terminals on the adapters. Now, from underneath, push the adapter with the 4 rubberised holes on to the speaker column as far as it will go (slightly loosen the 3 mm hexagonal grub screw if necessary) and secure to the adapter using the two grub screws. The electrical contact for the signal supply to the speaker column will be automatically established.

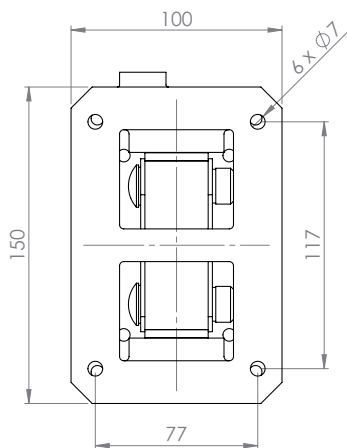
3. Now slide the speaker column with the attached U-bracket B into the bracket on the wall, reinstall bolt D into its designated position and secure it with the previously removed nut.

4. The speaker column can be tilted vertically by slightly loosening nut E, adjusting to the desired angle and then re-tightening the nut. The column can be adjusted horizontally by loosening nut F (remove plastic cap beforehand), adjusting the angle as required, and then re-tightening the nut.

5. From above, now push the adapter with the steel pins onto the subwoofer as far as it will go.

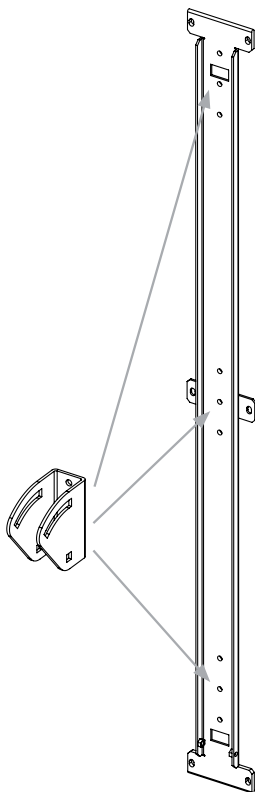


## DIMENSIONS OF MOUNTING PLATE



## POSITIONING TILT & SWIVEL BRACKET

The tilt and swivel U-bracket can be installed in 3 different positions on the speaker column mounting bracket. In its lowest position, the system provides a maximum tilt angle of 22° for the MAUI 11 G2 and 12° for the MAUI 28 8G2 speaker columns.



## MOUNTING LDMG2SPS

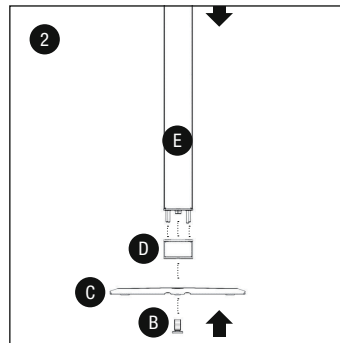
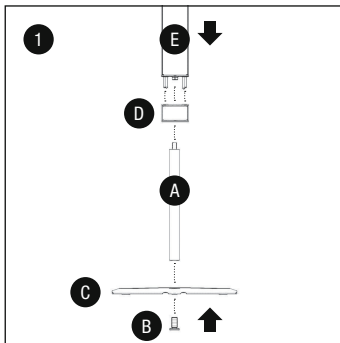
There are two ways to attach the MAUI G2 speaker column to the base.

### 1. Installation with the 55 mm rod attachment.

Attach the rod attachment to base C with M20 special screw B, ensuring a firm grip. Screw adapter D (with M20 thread) onto the rod attachment as far as it will go. Now attach speaker column E flush to the adapter (slightly loosen the 3 mm hexagonal grub screws if necessary). Steel guide pins facilitate correct assembly and at the same time ensure a secure hold. The electrical contact for the signal supply to the speaker column will be automatically established. Now attach the adapter flush to the subwoofer with the 4 steel pins and connect both adapters using the supplied speaker cable (4-core with speakON-compatible connectors).

### 2. Direct attachment to the base, without rod attachment.

Attach adapter D (with M20 thread) to base C with M20 special screw B, ensuring a firm grip. Now attach speaker column E flush to the adapter (slightly loosen the 3 mm hexagonal grub screws if necessary). Steel guide pins facilitate correct assembly and at the same time ensure a secure hold. The electrical contact for the signal supply to the speaker column will be automatically established. Now attach the adapter flush to the subwoofer with the 4 steel pins and connect both adapters using the supplied speaker cable (4-core with speakON-compatible connectors).



## TECHNICAL DATA

Model name:	LDMG2IK1	LDMG2IK1W
Type:	PA Loudspeaker Accessories	PA Loudspeaker Accessories
Part:	Wall Mount Bracket	Wall Mount Bracket
Material:	Steel	Steel
Surface:	Powder Coated	Powder Coated
Colour:	Black	White
Max. Load	12Kg	12Kg
Dimensions (W x H x D):	75mm x 810mm x 15mm	75mm x 810mm x 15mm
Weight:	1.5Kg	1.5Kg
Part:	Column Adapter	Column Adapter
Features:	Speakon Compatible, Terminal Block Connection, M20 Thread	Speakon Compatible, Terminal Block Connection, M20 Thread
Material:	Aluminium	Aluminium
Surface:	Powder Coated	Powder Coated
Colour:	Black	White
Dimensions (W x H x D):	100mm x 65mm x 105mm	100mm x 65mm x 105mm
Weight:	0.7Kg	0.7Kg
Part:	Subwoofer Adapter	Subwoofer Adapter
Features:	Speakon Compatible, Terminal Block Connection	Speakon Compatible, Terminal Block Connection
Material:	Aluminium	Aluminium
Surface:	Powder Coated	Powder Coated
Colour:	Black	White
Dimensions (W x H x D):	100mm x 105mm x 105mm	100mm x 105mm x 105mm
Weight:	0.5Kg	0.5Kg
Part:	Terminal Block Connector	Terminal Block Connector
Colour:	Green	Green
Feature:	4 pole	4 pole
Quantity:	2 pcs.	2 pcs.

Model name:	LDMG2IK2	LDMG2IK2W
Type:	PA Loudspeaker Accessories	PA Loudspeaker Accessories
Part:	Wall Mount Bracket	Wall Mount Bracket
Material:	Steel	Steel
Surface:	Powder Coated	Powder Coated
Colour:	Black	White
Max. Load	12Kg	12Kg
Dimensions (W x H x D):	75mm x 810mm x 135mm	75mm x 810mm x 135mm
Weight:	2.6Kg	2.6Kg
Part:	Column Adapter	Column Adapter
Features:	Speakon Compatible, Terminal Block Connection, M20 Thread	Speakon Compatible, Terminal Block Connection, M20 Thread
Material:	Aluminium	Aluminium
Surface:	Powder Coated	Powder Coated
Colour:	Black	White
Dimensions (W x H x D):	100mm x 65mm x 105mm	100mm x 65mm x 105mm
Weight:	0.7Kg	0.7Kg
Part:	Subwoofer Adapter	Subwoofer Adapter
Features:	Speakon Compatible, Terminal Block Connection	Speakon Compatible, Terminal Block Connection

Material:	Aluminium	Aluminium
Surface:	Powder Coated	Powder Coated
Colour:	Black	White
Dimensions (W x H x D):	100mm x 105mm x 105mm	100mm x 105mm x 105mm
Weight:	0.5Kg	0.5Kg
Part:	Terminal Block Connector	Terminal Block Connector
Colour:	Green	Green
Feature:	4 pole	4 pole
Quantity:	2 pcs.	2 pcs.

Model name:	LDMG2SPS	LDMG2SPSW
Type:	PA Loudspeaker Accessories	PA Loudspeaker Accessories
Part:	Pole	Pole
Material:	Steel	Steel
Surface:	Powder Coated	Powder Coated
Colour:	Black	White
Length:	500mm	500mm
Weight:	1Kg	1Kg
Part:	Base Plate	Column Adapter
Material:	Aluminium	Aluminium
Surface:	Powder Coated	Powder Coated
Colour:	Black	White
Diameter:	450mm	450mm
Weight:	9Kg	9Kg
Part:	Column Adapter	Column Adapter
Features:	Speakon Compatible, Terminal Block Connection, M20 Thread	Speakon Compatible, Terminal Block Connection, M20 Thread
Material:	Aluminium	Aluminium
Surface:	Powder Coated	Powder Coated
Colour:	Black	White
Dimensions (W x H x D):	100mm x 65mm x 105mm	100mm x 65mm x 105mm
Weight:	0.7Kg	0.7Kg
Part:	Subwoofer Adapter	Subwoofer Adapter
Features:	Speakon Compatible, Terminal Block Connection	Speakon Compatible, Terminal Block Connection
Material:	Aluminium	Aluminium
Surface:	Powder Coated	Powder Coated
Colour:	Black	White
Dimensions (W x H x D):	100mm x 105mm x 105mm	100mm x 105mm x 105mm
Weight:	0.5Kg	0.5Kg
Part:	Speaker Cable	Speaker Cable
Connectors:	Speakon Compatible	Speakon Compatible
Colour:	Black	Black
Length:	5m	5m
Weight:	0.9Kg	0.9Kg
Part:	Terminal Block Connector	Terminal Block Connector
Colour:	Green	Green
Feature:	4 pole	4 pole
Quantity:	2 pcs.	2 pcs.

## MANUFACTURER'S DECLARATIONS

### MANUFACTURER'S WARRANTY & LIMITATIONS OF LIABILITY

You can find our current warranty conditions and limitations of liability at: <http://www.adamhall.com/media/shop/downloads/documents/manufacturersdeclarations.pdf>. To request warranty service for a product, please contact Adam Hall GmbH, Daimler Straße 9, 61267 Neu Anspach / Email: [Info@adamhall.com](mailto:Info@adamhall.com) / +49 (0)6081 / 9419-0.



### CORRECT DISPOSAL OF THIS PRODUCT

(valid in the European Union and other European countries with a differentiated waste collection system)

■ This symbol on the product, or on its documents indicates that the device may not be treated as household waste. This is to avoid environmental damage or personal injury due to uncontrolled waste disposal. Please dispose of this product separately from other waste and have it recycled to promote sustainable economic activity. Household users should contact either the retailer where they purchased this product, or their local government office, for details on where and how they can recycle this item in an environmentally friendly manner. Business users should contact their supplier and check the terms and conditions of the purchase contract. This product should not be mixed with other commercial waste for disposal.

### FCC STATEMENT

This device complies with Part 15 of the FCC Rules. Operation is subject to the following two conditions:

- (1) This device may not cause harmful interference, and
- (2) This device must accept any interference received, including interference that may cause undesired operation

### CE Compliance

Adam Hall GmbH states that this product meets the following guidelines (where applicable):

R&TTE (1999/5/EC) or RED (2014/53/EU) from June 2017

Low voltage directive (2014/35/EU)

EMV directive (2014/30/EU)

RoHS (2011/65/EU)

The complete declaration of conformity can be found at [www.adamhall.com](http://www.adamhall.com).

Furthermore, you may also direct your enquiry to [info@adamhall.com](mailto:info@adamhall.com).

**SIE HABEN DIE RICHTIGE WAHL GETROFFEN!**

Dieses Gerät wurde unter hohen Qualitätsanforderungen entwickelt und gefertigt, um viele Jahre einen reibungslosen Betrieb zu gewährleisten. Dafür steht LD Systems mit seinem Namen und der langjährigen Erfahrung als Hersteller hochwertiger Audioprodukte. Bitte lesen Sie diese Bedienungsanleitung sorgfältig, damit Sie Ihr neues Produkt von LD Systems schnell optimal einsetzen können. Mehr Informationen zu **LD SYSTEMS** finden Sie auf unserer Internetseite [WWW.LD-SYSTEMS.COM](http://WWW.LD-SYSTEMS.COM)

**SICHERHEITSHINWEISE**

1. Lesen Sie diese Anleitung bitte sorgfältig durch.
2. Bewahren Sie alle Informationen und Anleitungen an einem sicheren Ort auf.
3. Befolgen Sie die Anweisungen.
4. Beachten Sie alle Warnhinweise. Entfernen Sie keine Sicherheitshinweise oder andere Informationen vom Gerät.
5. Verwenden Sie das Gerät nur in der vorgesehenen Art und Weise.
6. Verwenden Sie ausschließlich stabile und passende Stative bzw. Befestigungen (bei Festinstallationen). Stellen Sie sicher, dass Wandhalterungen ordnungsgemäß installiert und gesichert sind. Stellen Sie sicher, dass das Gerät sicher installiert ist und nicht herunterfallen kann.
7. Beachten Sie bei der Installation die für Ihr Land geltenden Sicherheitsvorschriften.
8. Installieren und betreiben Sie das Gerät nicht in der Nähe von Heizkörpern, Wärmespeichern, Öfen oder sonstigen Wärmequellen. Sorgen Sie dafür, dass das Gerät immer so installiert ist, dass es ausreichend gekühlt wird und nicht überhitzt kann.
9. Platzieren Sie keine Zündquellen wie z.B. brennende Kerzen auf dem Gerät.
10. Lüftungsschlitze dürfen nicht blockiert werden.
11. Betreiben Sie das Gerät nicht in unmittelbarer Nähe von Wasser. Bringen Sie das Gerät nicht mit brennbaren Materialien, Flüssigkeiten oder Gasen in Berührung. Direkte Sonneneinstrahlung vermeiden!
12. Sorgen Sie dafür, dass kein Tropf- oder Spritzwasser in das Gerät eindringen kann. Stellen Sie keine mit Flüssigkeit gefüllten Behältnisse wie Vasen oder Trinkgefäße auf das Gerät.
13. Sorgen Sie dafür, dass keine Gegenstände in das Gerät fallen können.
14. Betreiben Sie das Gerät nur mit dem vom Hersteller empfohlenen und vorgesehenen Zubehör.
15. Öffnen Sie das Gerät nicht und verändern Sie es nicht.
16. Überprüfen Sie nach dem Anschluss des Geräts alle Kabelwege, um Schäden oder Unfälle, z. B. durch Stolperfallen zu vermeiden.
17. Achten Sie beim Transport darauf, dass das Gerät nicht herunterfallen und dabei möglicherweise Sach- und Personenschäden verursachen kann.
18. Wenn Ihr Gerät nicht mehr ordnungsgemäß funktioniert, Flüssigkeiten oder Gegenstände in das Geräteinnere gelangt sind, oder das Gerät anderweitig beschädigt wurde, schalten Sie es sofort aus und trennen es von der Netzsteckdose (sofern es sich um ein aktives Gerät handelt). Dieses Gerät darf nur von autorisiertem Fachpersonal repariert werden.
19. Verwenden Sie zur Reinigung des Geräts ein trockenes Tuch.
20. Beachten Sie alle in Ihrem Land geltenden Entsorgungsgesetze. Trennen Sie bei der Entsorgung der Verpackung bitte Kunststoff und Papier bzw. Kartonagen voneinander.
21. Kunststoffbeutel müssen außer Reichweite von Kindern aufbewahrt werden.

**BEI GERÄTEN MIT NETZANSCHLUSS**

22. **ACHTUNG:** Wenn das Netzkabel des Geräts mit einem Schutzkontakt ausgestattet ist, muss es an einer Steckdose mit Schutzleiter angeschlossen werden. Deaktivieren Sie niemals den Schutzleiter eines Netzkabels.
23. Schalten Sie das Gerät nicht sofort ein, wenn es starken Temperaturschwankungen ausgesetzt war (beispielsweise nach dem Transport). Feuchtigkeit und Kondensat könnten das Gerät beschädigen. Schalten Sie das Gerät erst ein, wenn es Zimmertemperatur erreicht hat.
24. Bevor Sie das Gerät an die Steckdose anschließen, prüfen Sie zuerst, ob die Spannung und die Frequenz des Stromnetzes mit den auf dem Gerät angegebenen Werten übereinstimmen. Verfügt das Gerät über einen Spannungswahlschalter, schließen Sie das Gerät nur an die Steckdose an, wenn die Gerätewerte mit den Werten des Stromnetzes übereinstimmen. Wenn das mitgelieferte Netzkabel bzw. der mitgelieferte Netzadapter nicht in Ihre Netzsteckdose passt, wenden Sie sich an Ihren Elektriker.
25. Treten Sie nicht auf das Netzkabel. Sorgen Sie dafür, dass spannungsführende Kabel speziell an der Netzbuchse bzw. am Netzadapter und der Gerätebuchse nicht geknickt werden.
26. Achten Sie bei der Verkabelung des Geräts immer darauf, dass das Netzkabel bzw. der Netzadapter stets frei zugänglich ist. Trennen Sie das Gerät stets von der Stromzuführung, wenn das Gerät nicht benutzt wird, oder Sie das Gerät reinigen möchten. Ziehen Sie Netzkabel und Netzadapter immer am Stecker bzw. am Adapter und nicht am Kabel aus der Steckdose. Berühren Sie Netzkabel und Netzadapter niemals mit nassen Händen.
27. Schalten Sie das Gerät möglichst nicht schnell hintereinander ein und aus, da sonst die Lebensdauer des Geräts beeinträchtigt werden könnte.
28. **WICHTIGER HINWEIS:** Ersetzen Sie Sicherungen ausschließlich durch Sicherungen des gleichen Typs und Wertes. Sollte eine Sicherung wiederholt auslösen, wenden Sie sich bitte an ein autorisiertes Servicezentrum.
29. Um das Gerät vollständig vom Stromnetz zu trennen, entfernen Sie das Netzkabel bzw. den Netzadapter aus der Steckdose.
30. Wenn Ihr Gerät mit einem verriegelbaren Netzanschluss bestückt ist, muss der passende Gerätestecker entspert werden, bevor er entfernt werden kann. Das bedeutet aber auch, dass das Gerät durch ein Ziehen am Netzkabel verrutschen und herunterfallen kann, wodurch Personen verletzt werden und/oder andere Schäden auftreten können. Verlegen Sie Ihre Kabel daher immer sorgfältig.
31. Entfernen Sie Netzkabel und Netzadapter aus der Steckdose bei Gefahr eines Blitzschlags oder wenn Sie das Gerät länger nicht verwenden.

**ACHTUNG**

Entfernen Sie niemals die Abdeckung, da sonst das Risiko eines elektrischen Schlages besteht. Im Inneren des Geräts befinden sich keine Teile, die vom Bediener repariert oder gewartet werden können. Lassen Sie Wartung und Reparaturen ausschließlich von qualifiziertem Servicepersonal durchführen.



Das gleichseitige Dreieck mit Blitzsymbol warnt vor nichtisolierten, gefährlichen Spannungen im Geräteinneren, die einen elektrischen Schlag verursachen können.



Das gleichseitige Dreieck mit Ausrufungszeichen kennzeichnet wichtige Bedienungs- und Wartungshinweise.



Warnung! Dieses Symbol kennzeichnet heiße Oberflächen. Während des Betriebs können bestimmte Teile des Gehäuses heiß werden. Berühren oder transportieren Sie das Gerät nach einem Einsatz erst nach einer Abkühlzeit von mindestens 10 Minuten.



Warnung! Dieses Gerät ist für eine Nutzung bis zu einer Höhe von maximal 2000 Metern über dem Meeresspiegel bestimmt.



Warnung! Dieses Gerät ist nicht für den Einsatz in tropischen Klimazonen bestimmt.

**ACHTUNG HOHE LAUTSTÄRKEN BEI AUDIOPRODUKTEN!**

Dieses Gerät ist für den professionellen Einsatz vorgesehen. Der kommerzielle Betrieb dieses Geräts unterliegt den jeweils gültigen nationalen Vorschriften und Richtlinien zur Unfallverhütung. Als Hersteller ist Adam Hall gesetzlich verpflichtet, Sie ausdrücklich auf mögliche Gesundheitsrisiken hinzuweisen. Gehörschäden durch hohe Lautstärken und Dauerbelastung: Bei der Verwendung dieses Produkts können hohe Schalldruckpegel (SPL) erzeugt werden, die bei Künstlern, Mitarbeitern und Zuschauern zu irreparablen Gehörschäden führen können. Vermeiden Sie länger anhaltende Belastung durch hohe Lautstärken über 90 dB.

**EINFÜHRUNG**

Die Montage-Sets für die Lautsprechersäulen der MAUI G2 Serie erlauben eine elegante, unaufdringliche und flexible Montage. Zu den Sets gehören je zwei Adapter, die mit speakON-kompatibler Buchse, Schraub-Steck-Anschluss und Multipin-Buchse zum Anschluss der Säule an den Subwoofer ausgestattet sind. Alle Sets sind jeweils in Schwarz oder Weiß erhältlich.

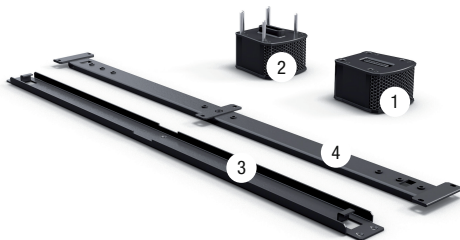
**KOMPONENTEN****Installations-Set für die flache Wandmontage der MAUI11G2 und MAUI28G2 Lautsprechersäulen**

LDMG2IK1 (schwarz)

LDMG2IK1W (weiß)

1. Adapter zum Anschließen an die Lautsprechersäule (mit speakON-kompatiblen Anschluss, Schraub-Steck-Anschluss und Schraub-Steck-Verbinder)
2. Adapter zum Anschließen an den MAUI G2 Subwoofer (mit speakON-kompatiblen Anschluss, Schraub-Steck-Anschluss und Schraub-Steck-Verbinder)
3. Montageschiene für die senkrechte Montage an eine Wand
4. Halteschiene zum Anbringen an die Lautsprechersäule

(1 Satz Schrauben für die Montage der Halteschiene an der Lautsprechersäule und 1 Sicherungsschraube inklusive, benötigtes Werkzeug: 3mm und 4mm Innensechskant)



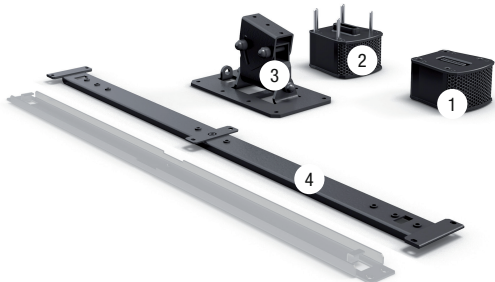


### Installations-Set mit Kipp- und Schwenkmechanismus für die Wandmontage der MAUI11G2 und MAUI28G2 Lautsprechersäulen

LDMG2IK2 (schwarz)

LDMG2IK2W (weiß)

1. Adapter zum Anschließen an die Lautsprechersäule (mit speakON-kompatiblen Anschluss, Schraub-Steck-Anschluss und Schraub-Steck-Verbinder)
  2. Adapter zum Anschließen an den MAUI G2 Subwoofer (mit speakON-kompatiblen Anschluss, Schraub-Steck-Anschluss und Schraub-Steck-Verbinder)
  3. Kipp- und Schwenkhalter für die senkrechte Wandmontage
  4. Halteschiene zum Anbringen an die Lautsprechersäule (die Montageschiene, im Bild ausgegraut, ist aus logistischen Gründen im Lieferumfang enthalten, wird aber für diese Montageart nicht benötigt)
- (1 Satz Schrauben für die Montage der Halteschiene an der Lautsprechersäule und des Kipp- & Schwenkhalters an der Halteschiene inklusive, benötigtes Werkzeug: 3mm und 4mm Innensechskant)

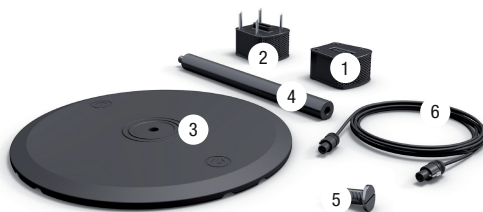


### Standfuß-Set für MAUI11G2 und MAUI28G2 Lautsprechersäulen

LDMG2SPS (schwarz)

LDMG2SPSW (weiß)

1. Adapter zum Anschließen an die Lautsprechersäule (mit speakON-kompatiblen Anschluss, Schraub-Steck-Anschluss und Schraub-Steck-Verbinder)
  2. Adapter zum Anschließen an den MAUI G2 Subwoofer (mit speakON-kompatiblen Anschluss, Schraub-Steck-Anschluss und Schraub-Steck-Verbinder)
  3. Montagefuß zum Anbringen der Distanzstange, bzw. des Säulen-Adapters
  4. Distanzstange (Höhe 55cm) mit M20 Gewindegewinde am oberen Ende und M20 Gewinde am unteren Ende
  5. M20 Schraube zum Verbinden der Distanzstange, bzw. des Säulen-Adapters mit dem Montagefuß
  6. 4-adriges Verbindungskabel mit speakON-kompatiblen Verbindungssteckern
- (benötigtes Werkzeug: großer Flachsraubendreher, 3mm Innensechskant)



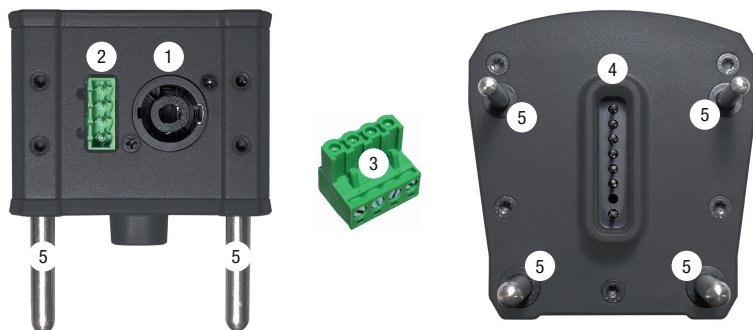
## ADAPTER FÜR LAUTSPRECHERSÄULE

1. SpeakON-kompatibler Anschluss zum Verbinden des Säulen-Adapters mit dem Subwoofer-Adapter. Der speakON-kompatible Anschluss ist mit dem Schraub-Steck-Anschluss (2) parallel verkabelt.
2. Schraub-Steck-Anschluss zum Verbinden des Säulen-Adapters mit dem Subwoofer-Adapter. Der Schraub-Steck-Anschluss ist mit dem speakON-kompatiblen Anschluss (1) parallel verkabelt.
3. Schraub-Steck-Verbinder 4-polig.
4. Gewinde mit Madenschraube (3mm Innensechskant) zum Arretieren der hinteren Stahlbolzen nach dem Zusammenstecken mit der Lautsprechersäule.
5. Multipin-Anschluss zum Weiterleiten der Lautsprechersignale für die Lautsprechersäule.
6. Gummierte Führungslöcher für die korrekte Montage und festen Halt an der Lautsprechersäule.
7. M20 Gewinde zum Verbinden des Säulen-Adapters mit der Distanzstange, bzw. dem Montagefuß.



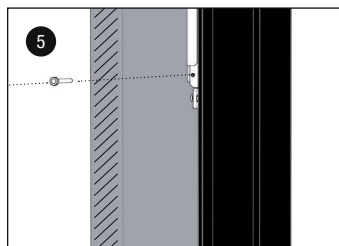
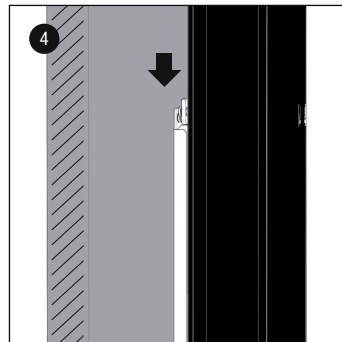
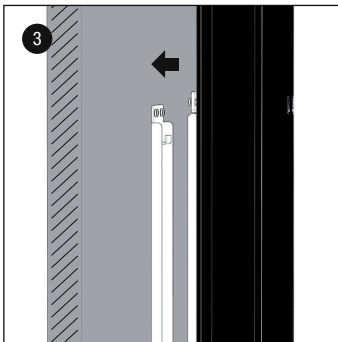
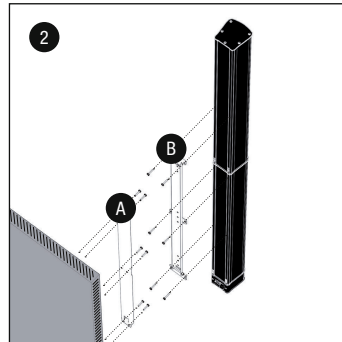
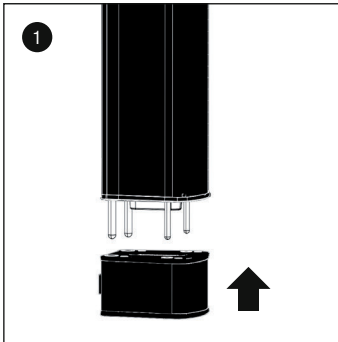
## ADAPTER FÜR SUBWOOFER

1. SpeakON-kompatibler Anschluss zum Verbinden des Subwoofer-Adapters mit dem Säulen-Adapter. Der speakON-kompatible Anschluss ist mit dem Schraub-Steck-Anschluss (2) parallel verkabelt.
2. Schraub-Steck-Anschluss zum Verbinden des Subwoofer-Adapters mit dem Säulen-Adapter. Der Schraub-Steck-Anschluss ist mit dem speakON-kompatiblen Anschluss (1) parallel verkabelt.
3. Schraub-Steck-Verbinder 4-polig.
4. Multipin-Anschluss zum Weiterleiten der Lautsprechersignale für die Lautsprechersäule.
5. Führungsbolzen aus Stahl für die korrekte Montage und festen Halt am Subwoofer.



## WANDMONTAGE LDMG21K1

1. Montieren Sie die beiden mitgelieferten Schraub-Steck-Verbinder an ein 4-adriges Lautsprecherkabel (4 x 1,5mm<sup>2</sup>), achten dabei auf parallele Verkabelung (Belegung siehe Aufdruck auf Adapter) und stecken die Verbinder in die dafür vorgesehenen Anschlüsse in den Adaptern für die Lautsprechersäule und den Subwoofer. Stecken Sie nun den Adapter mit den 4 gummierten Löchern von unten bis zum Anschlag auf die Lautsprechersäule (ggf. Madenschrauben 3mm Innensechskant im Adapter leicht lösen) und sichern ihn mit Hilfe der beiden Madenschrauben im Adapter. Der elektrische Kontakt für die Signalversorgung der Lautsprechersäule wird dabei automatisch hergestellt.
2. Schrauben Sie nun die Montagesschiene A mit der flachen Seite und mit den Haltezungen nach oben gerichtet an einer geeigneten Stelle senkrecht an eine tragfähige Wand (6 Schrauben, Markierung „THIS SIDE UP“ nach oben). Verwenden Sie geeignete Schrauben und Dübel etc. und achten auf festen Halt. Entfernen Sie die 6 Madenschrauben (3mm Innensechskant) an den entsprechenden Stellen auf der Rückseite der Lautsprechersäule und schrauben die Halteschiene B mit der flachen Seite mit Hilfe der mitgelieferten Schrauben (M5 x 10mm, 4mm Innensechskant) an die MAUI G2 Lautsprechersäule. Achten Sie dabei auf die Markierung „THIS SIDE UP“ auf der Halteschiene.
3. + 4. Setzen Sie nun die Lautsprechersäule mit der montierten Halteschiene auf die Montagesschiene an der Wand, in der Art, dass die Haltezungen der Montagesschiene in die Aussparungen der Halteschiene greifen und drücken die Säule nach unten bis zum Anschlag (ca. 10mm).
5. Sichern Sie die Verbindung mit Hilfe der mitgelieferten Sicherungsschraube (M4, 3mm Innensechskant). Das entsprechende Gewinde befindet sich unten an der Halteschiene der Lautsprechersäule.
6. Den Adapter mit den Stahlbolzen stecken Sie nun von oben auf den Subwoofer bis zum Anschlag.



# ABMESSUNGEN MONTAGESCHIENE

ENGLISH

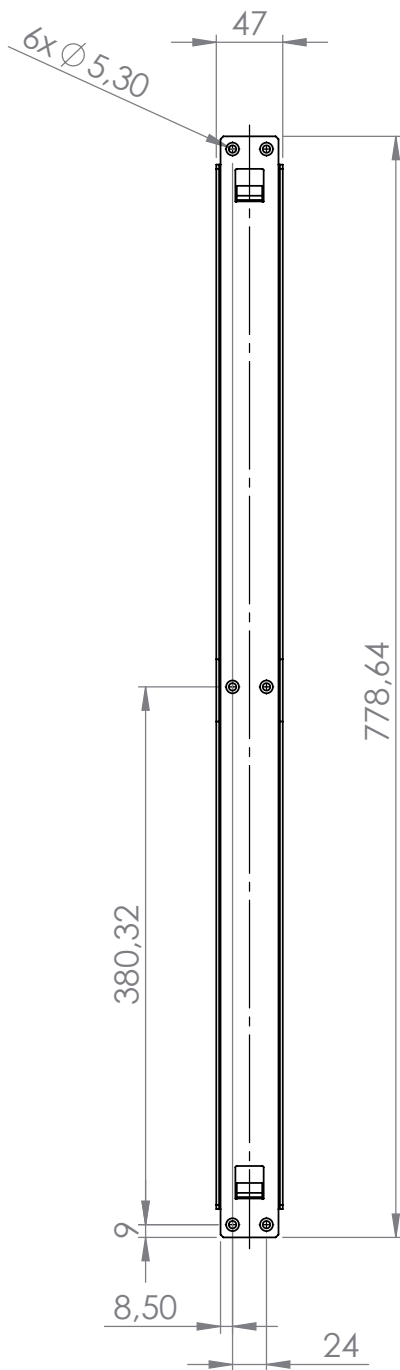
DEUTSCH

FRANCAIS

ESPAÑOL

POLSKI

ITALIANO



## WANDMONTAGE LDMG21K2

1. Entfernen Sie die 6 Madenschrauben (3mm Innensechskant) an den entsprechenden Stellen auf der Rückseite der Lautsprechersäule und schrauben die Halteschiene A mit der flachen Seite mit Hilfe der mitgelieferten Schrauben (M5 x 10mm, 4mm Innensechskant) an die MAUI G2 Lautsprechersäule. Achten Sie dabei auf die Markierung „THIS SIDE UP“ (Diese Seite nach oben) auf der Halteschiene.

2. Lösen Sie die Schraube E leicht (nicht entnehmen), lösen Schraube D vom Kipp- & Schwenkarm, entnehmen sie und heben den U-Bügel B aus der Halterung. Schrauben Sie den U-Bügel B an der gewünschten Position der Halteschiene A mit Hilfe von 3 mitgelieferten Schrauben (M5 x 10mm, 4mm Innensechskant) fest (für maximale Neigung unterste der 3 Positionen verwenden - MAUI11G2 = max. 22°, MAUI28G2 = max. 12°).

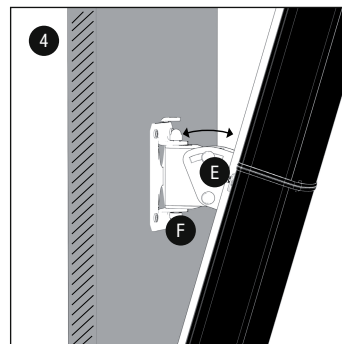
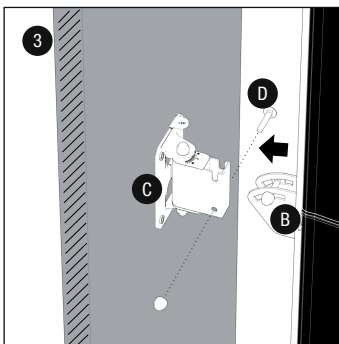
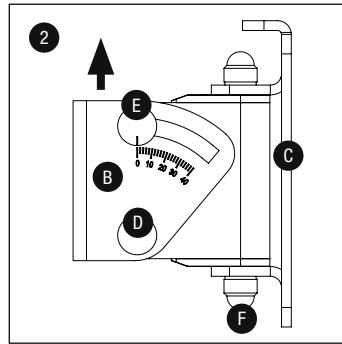
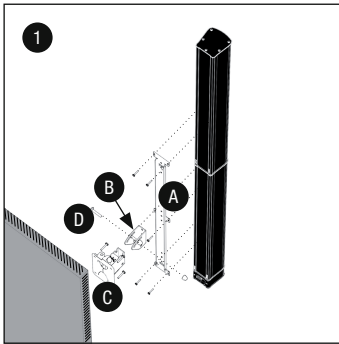
Schrauben Sie die Montageplatte C mit der flachen Seite und mit der Sicherungöse nach oben an einer geeigneten Stelle senkrecht an einer tragfähige Wand (6 Schrauben). Verwenden Sie geeignete Schrauben und Dübel etc. und achten auf festen Halt.

Montieren Sie nun die beiden mitgelieferten Schraub-Steck-Verbinder an ein 4-adriges Lautsprecherkabel (4 x 1,5mm<sup>2</sup>), achten dabei auf parallele Verkabelung (Belegung siehe Aufdruck auf Adapter) und stecken die Verbinder in die dafür vorgesehenen Anschlüsse in den Adaptern für die Lautsprechersäule und den Subwoofer. Stecken Sie nun den Adapter mit den 4 gummierten Löchern von unten bis zum Anschlag auf die Lautsprechersäule (ggf. Madenschrauben 3mm Innensechskant im Adapter leicht lösen) und sichern ihn mit Hilfe der beiden Madenschrauben im Adapter. Der elektrische Kontakt für die Signalversorgung der Lautsprechersäule wird dabei automatisch hergestellt.

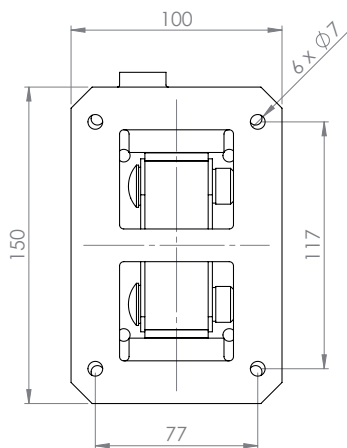
3. Setzen Sie nun die Lautsprechersäule mit dem montierten U-Bügel B auf die Halterung an der Wand, setzen die Schraube D wieder an der dafür vorgesehenen Stelle ein und befestigen sie mit Hilfe der zuvor entfernten Schraubenmutter.

4. Die Lautsprechersäule können Sie vertikal neigen, indem Sie die Schraubenmutter E leicht lösen, den gewünschten Winkel einstellen und die Schraubenmutter F leicht lösen (Plastikkappe vorher entfernen), den Winkel nach Wunsch einstellen und die Schraubenmutter wieder festziehen.

5. Den Adapter mit den Stahlbolzen stecken Sie nun von oben auf den Subwoofer bis zum Anschlag.

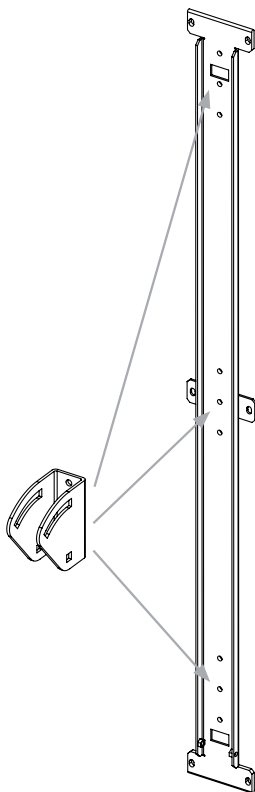


## ABMESSUNGEN MONTAGEPLATTE



## POSITIONIERUNG KIPP- & SCHWENKHALTER

Der U-Bügel des Kipp- & Schwenkhalters ist an 3 verschiedenen Positionen der Halteschiene der Lautsprechersäule montierbar. In der untersten Position bietet das System den maximalen Neigungswinkel von 22° bei der MAUI11G2 und 12° bei der MAUI28G2 Lautsprechersäule.



## MONTAGE LDMG2SPS

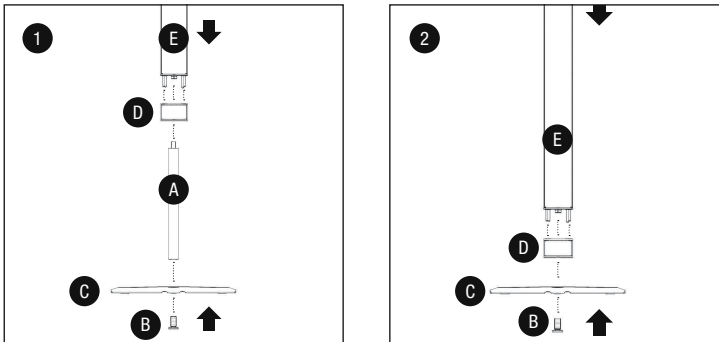
Es bestehen zwei Möglichkeiten, die MAUI G2 Lautsprechersäule auf dem Montagefuß zu montieren.

### 1. Die Montage mit 55cm Distanzstange auf dem Montagefuß.

Schrauben Sie die Distanzstange A mit Hilfe der M20 Spezialschraube B am Montagefuß C fest und achten auf festen Halt. Schrauben Sie den Adapter D (mit M20 Gewinde) auf die Distanzstange bis zum Anschlag. Die Lautsprechersäule E stecken Sie nun bündig auf den Adapter (ggf. Madenschrauben 3mm Innensechskant im Adapter leicht lösen). Führungsbolzen aus Stahl erleichtern die korrekte Montage und gewährleisten gleichzeitig sicheren Halt. Der elektrische Kontakt für die Signalversorgung der Lautsprechersäule wird dabei automatisch hergestellt. Stecken Sie nun den Adapter mit den 4 Stahlbolzen bündig auf den Subwoofer und verbinden beide Adapter mit Hilfe des mitgelieferten Lautsprecherkabels (4-adrig mit speakON kompatiblen Steckern).

### 2. Die Montage direkt auf dem Montagefuß, ohne Distanzstange.

Schrauben Sie den Adapter D (mit M20 Gewinde) mit Hilfe der M20 Spezialschraube B am Montagefuß C fest und achten auf festen Halt. Die Lautsprechersäule E stecken Sie nun bündig auf den Adapter (ggf. Madenschrauben 3mm Innensechskant im Adapter leicht lösen). Führungsbolzen aus Stahl erleichtern die korrekte Montage und gewährleisten gleichzeitig sicheren Halt. Der elektrische Kontakt für die Signalversorgung der Lautsprechersäule wird dabei automatisch hergestellt. Stecken Sie nun den Adapter mit den 4 Stahlbolzen bündig auf den Subwoofer und verbinden beide Adapter mit Hilfe des mitgelieferten Lautsprecherkabels (4-adrig mit speakON kompatiblen Steckern).



## TECHNISCHE DATEN

<b>Modellname:</b>	<b>LDMG2IK1</b>	<b>LDMG2IK1W</b>
Produktart:	PA-Lautsprecher-Zubehör	PA-Lautsprecher-Zubehör
Teil:	Wandhalterung	Wandhalterung
Material:	Stahl	Stahl
Oberfläche:	pulverbeschichtet	pulverbeschichtet
Farbe:	schwarz	weiß
Max. Belastbarkeit	12 kg	12 kg
Abmessungen (B x H x T):	75 mm x 810 mm x 15 mm	75 mm x 810 mm x 15 mm
Gewicht:	1,5 kg	1,5 kg
Teil:	Säulen-Adapter	Säulen-Adapter
Merkmale:	speakON-kompatibel, Klemmleisten-Anschluss, M20-Gewinde	speakON-kompatibel, Klemmleisten-Anschluss, M20-Gewinde
Material:	Aluminium	Aluminium
Oberfläche:	pulverbeschichtet	pulverbeschichtet
Farbe:	schwarz	weiß
Abmessungen (B x H x T):	100 mm x 65 mm x 105 mm	100 mm x 65 mm x 105 mm
Gewicht:	0,7 kg	0,7 kg
Teil:	Subwoofer-Adapter	Subwoofer-Adapter
Merkmale:	speakON-kompatibel, Klemmleisten-Anschluss	speakON-kompatibel, Klemmleisten-Anschluss
Material:	Aluminium	Aluminium
Oberfläche:	pulverbeschichtet	pulverbeschichtet
Farbe:	schwarz	weiß
Abmessungen (B x H x T):	100 mm x 105 mm x 105 mm	100 mm x 105 mm x 105 mm
Gewicht:	0,5 kg	0,5 kg
Teil:	Klemmleisten-Verbinder	Klemmleisten-Verbinder
Farbe:	grün	grün
Merkmal:	4-polig	4-polig
Anzahl:	2 St.	2 St.
<b>Modellname:</b>	<b>LDMG2IK2</b>	<b>LDMG2IK2W</b>
Produktart:	PA-Lautsprecher-Zubehör	PA-Lautsprecher-Zubehör
Teil:	Wandhalterung	Wandhalterung
Material:	Stahl	Stahl
Oberfläche:	pulverbeschichtet	pulverbeschichtet
Farbe:	schwarz	weiß
Max. Belastbarkeit	12 kg	12 kg
Abmessungen (B x H x T):	75 mm x 810 mm x 135 mm	75 mm x 810 mm x 135 mm
Gewicht:	2,6 kg	2,6 kg
Teil:	Säulen-Adapter	Säulen-Adapter
Merkmale:	speakON-kompatibel, Klemmleisten-Anschluss, M20-Gewinde	speakON-kompatibel, Klemmleisten-Anschluss, M20-Gewinde
Material:	Aluminium	Aluminium



Oberfläche:	pulverbeschichtet	pulverbeschichtet
Farbe:	schwarz	weiß
Abmessungen (B x H x T):	100 mm x 65 mm x 105 mm	100 mm x 65 mm x 105 mm
Gewicht:	0,7 kg	0,7 kg
Teil:	Subwoofer-Adapter	Subwoofer-Adapter
Merkmale:	speakON-kompatibel, Klemmleisten-Anschluss	speakON-kompatibel, Klemmleisten-Anschluss
Material:	Aluminium	Aluminium
Oberfläche:	pulverbeschichtet	pulverbeschichtet
Farbe:	schwarz	weiß
Abmessungen (B x H x T):	100 mm x 105 mm x 105 mm	100 mm x 105 mm x 105 mm
Gewicht:	0,5 kg	0,5 kg
Teil:	Klemmleisten-Verbinder	Klemmleisten-Verbinder
Farbe:	grün	grün
Merkmal:	4-polig	4-polig
Anzahl:	2 St.	2 St.

<b>Modellname:</b>	<b>LDMG2SPS</b>	<b>LDMG2SPSW</b>
Produktart:	PA-Lautsprecher-Zubehör	PA-Lautsprecher-Zubehör
Teil:	Distanzstange	Distanzstange
Material:	Stahl	Stahl
Oberfläche:	pulverbeschichtet	pulverbeschichtet
Farbe:	schwarz	weiß
Länge:	500 mm	500 mm
Gewicht:	1 kg	1 kg
Teil:	Montagefuß	Montagefuß
Material:	Gusseisen	Montagefuß
Oberfläche:	pulverbeschichtet	pulverbeschichtet
Farbe:	schwarz	weiß
Durchmesser:	450 mm	450 mm
Gewicht:	9 kg	9 kg
Teil:	Säulen-Adapter	Säulen-Adapter
Merkmale:	speakON-kompatibel, Klemmleisten-Anschluss, M20-Gewinde	speakON-kompatibel, Klemmleisten-Anschluss, M20-Gewinde
Material:	Aluminium	Aluminium
Oberfläche:	pulverbeschichtet	pulverbeschichtet
Farbe:	schwarz	weiß
Abmessungen (B x H x T):	100 mm x 65 mm x 105 mm	100 mm x 65 mm x 105 mm
Gewicht:	0,7 kg	0,7 kg

Teil:	Subwoofer-Adapter	Subwoofer-Adapter
Merkmale:	speakON-kompatibel, Klemmleisten-Anschluss	speakON-kompatibel, Klemmleisten-Anschluss
Material:	Aluminium	Aluminium
Oberfläche:	pulverbeschichtet	pulverbeschichtet
Farbe:	schwarz	weiß
Abmessungen (B x H x T):	100 mm x 105 mm x 105 mm	100 mm x 105 mm x 105 mm
Gewicht:	0,5 kg	0,5 kg

Teil:	Lautsprecherkabel	Lautsprecherkabel
Verbinder:	speakON-kompatibel	speakON-kompatibel
Farbe:	schwarz	schwarz
Länge:	5 m	5 m
Gewicht:	0,9 kg	0,9 kg

Teil:	Klemmleisten-Verbinder	Klemmleisten-Verbinder
Farbe:	grün	grün
Merkmal:	4-polig	4-polig
Anzahl:	2 St.	2 St.

## HERSTELLERERKLÄRUNGEN

### HERSTELLERGARANTIE & HAFTUNGSBESCHRÄNKUNG

Unsere aktuellen Garantiebedingungen und Haftungsbeschränkung finden Sie unter: <http://www.adamhall.com/media/shop/downloads/documents/manufacturersdeclarations.pdf>. Im Service Fall wenden Sie sich bitte an Adam Hall GmbH, Daimlerstraße 9, 61267 Neu Anspach E-Mail [Info@adamhall.com](mailto:Info@adamhall.com) / +49 (0)6081 / 9419-0.



### KORREKTE ENTSORGUNG DIESES PRODUKTS

(Gültig in der Europäischen Union und anderen europäischen Ländern mit Mülltrennung) Dieses Symbol auf dem Produkt oder dazugehörigen Dokumenten weist darauf hin, dass das Gerät am Ende der Produktlebenszeit nicht zusammen mit dem normalen Hausmüll entsorgt werden darf, um Umwelt- oder Personenschäden durch unkontrollierte Abfallentsorgung zu vermeiden. Bitte entsorgen Sie dieses Produkt getrennt von anderen Abfällen und führen es zur Förderung nachhaltiger Wirtschaftskreisläufe dem Recycling zu. Als Privatkunde erhalten Sie Informationen zu umweltfreundlichen Entsorgungsmöglichkeiten über den Händler, bei dem das Produkt erworben wurde, oder über die entsprechenden regionalen Behörden. Als gewerblicher Nutzer kontaktieren Sie bitte Ihren Lieferanten und prüfen die ggf. vertraglich vereinbarten Konditionen zur Entsorgung der Geräte. Dieses Produkt darf nicht zusammen mit anderen gewerblichen Abfällen entsorgt werden.

### CE-Konformität

Hiermit erklärt die Adam Hall GmbH, dass dieses Produkt folgenden Richtlinien entspricht (soweit zutreffend):

R&TTE (1999/5/EG) bzw. RED (2014/53/EU) ab Juni 2017

Niederspannungsrichtlinie (2014/35/EU)

EMV-Richtlinie (2014/30/EU)

RoHS (2011/65/EU)

Die vollständige Konformitätserklärung finden Sie unter [www.adamhall.com](http://www.adamhall.com).

Des Weiteren können Sie diese auch unter [info@adamhall.com](mailto:info@adamhall.com) anfragen.

## VOUS AVEZ FAIT LE BON CHOIX!

Cet appareil a été développé et fabriqué en appliquant des exigences de qualité très élevées : il garantit des années de fonctionnement sans problème. Grâce à de nombreuses années d'expérience, LD Systems est un nom connu dans le domaine des produits audio haut de gamme. Veuillez lire attentivement ce Manuel Utilisateur : vous apprendrez rapidement à utiliser votre appareil LD Systems de façon optimale. Pour plus d'informations sur **LD Systems**, visitez notre site Web, [WWW.LD-SYSTEMS.COM](http://WWW.LD-SYSTEMS.COM)

## MESURES PRÉVENTIVES

1. Veuillez lire attentivement ce manuel.
2. Rangez tous les documents d'information et d'instructions en lieu sûr.
3. Veuillez suivre toutes les instructions
4. Observez tous les messages d'avertissement N'enlevez pas de l'appareil les étiquettes de sécurité ou autres informations.
5. N'utilisez l'appareil que pour des applications et de la façon appropriées.
6. Utilisez exclusivement des pieds et des dispositifs de fixation stables et adaptés lorsque l'appareil est utilisé en installation fixe. Assurez-vous que les fixations murales ont été montées correctement, et qu'elles sont sécurisées. Vérifiez que l'appareil est installé en toute sécurité, et qu'il ne peut pas tomber.
7. Lors de l'installation, observez les réglementations de sécurité en vigueur dans votre pays.
8. N'installez et n'utilisez pas l'appareil à proximité de radiateurs, d'accumulateurs de chaleur, de fours ou de toute autre source de chaleur. Vérifiez que l'appareil est installé de façon à bénéficier en permanence d'un refroidissement efficace et qu'il ne peut pas chauffer de façon excessive.
9. Ne placez aucune source de flamme sur l'appareil – par exemple, une bougie allumée.
10. Ne bloquez pas les ouïes d'aération. Éviter toute exposition directe aux rayons du soleil !
11. N'utilisez pas l'appareil à proximité immédiate d'eau (à moins qu'il ne s'agisse d'un appareil conçu pour une utilisation en extérieur – dans ce cas, respectez les instructions correspondantes ci après) Ne mettez pas l'appareil en contact avec des matériaux, des liquides ou des gaz inflammables.
12. Vérifiez qu'aucune projection ou liquide ne puisse s'introduire dans l'appareil. Ne posez sur l'appareil aucun objet renfermant du liquide : vase, verre d'eau...
13. Vérifiez qu'aucun petit objet ne puisse tomber à l'intérieur de l'appareil.
14. N'utilisez avec cet appareil que des accessoires recommandés et approuvés par le fabricant.
15. N'ouvrez pas l'appareil, et n'essayez pas de le modifier.
16. Lors du branchement de l'appareil, sécurisez le passage du câble secteur, afin d'éviter tout dommage ou accident, par exemple quel-qu'un qui trébucher sur le câble.
17. Lors du transport, vérifiez que l'appareil ne peut tomber, ce qui pourrait provoquer des dommages matériels et/ou corporels.
18. Si votre appareil ne fonctionne plus correctement, que de l'eau ou des objets ont pénétré à l'intérieur, ou qu'il a été endommagé de quelque façon que ce soit, éteignez-le immédiatement et débranchez sa prise secteur (s'il s'agit d'un appareil alimenté). Cet appareil ne doit être réparé que par un personnel autorisé.
19. Pour le nettoyage de l'appareil, utilisez un chiffon sec/
20. Observez toutes les réglementations en vigueur dans votre pays pour mettre l'appareil au rebut. Lorsque vous jetez l'emballage de l'appareil, veuillez séparer plastique, papier et carton.
21. Les films plastique doivent être mis hors de portée des enfants.

## APPAREILS RELIÉS AU SECTEUR

22. ATTENTION : Si le câble de l'appareil est muni d'un fil de terre, il doit être relié à une prise murale avec terre. Ne désactivez jamais la mise à la terre d'un appareil.
23. N'allumez pas l'appareil immédiatement s'il a subi une grande différence de température ambiante (par exemple, lors du transport). L'humidité et la condensation pourraient l'endommager. Ne mettez l'appareil sous tension que lorsqu'il est parvenu à la température de la pièce.
24. Avant de relier l'appareil à la prise murale, vérifiez que la valeur et la fréquence de tension secteur sur laquelle il est réglé correspondent bien à la valeur et à la fréquence de la tension secteur locale. Si l'appareil possède un sélecteur de tension, ne le branchez sur la prise murale qu'après avoir vérifié que la valeur réglée correspond à la valeur effective de la tension secteur. Si la fiche du cordon secteur ou du bloc adaptateur livré avec votre appareil ne correspond pas au format de votre prise murale, veuillez consulter un électricien.
25. Ne piétez pas le câble secteur. Assurez-vous que le câble secteur n'est pas trop pincé, notamment au niveau de l'arrière de l'appareil (ou de son adaptateur secteur) et de la prise murale.
26. Lors du branchement de l'appareil, vérifiez que l'accès au câble secteur ou au bloc adaptateur reste facile. Sortez la fiche secteur de la prise murale dès que vous n'utilisez pas l'appareil pendant un certain temps, ou si vous désirez nettoyer l'appareil. Pour ce faire, tirez toujours sur la fiche elle-même, ou sur le bloc secteur lui-même ; ne tirez jamais sur le câble. Ne manipulez jamais le câble secteur ou l'adaptateur secteur avec des mains mouillées.
27. N'éteignez/rallumez pas l'appareil rapidement plusieurs fois de suite : vous risquez de réduire la longévité de ses composants internes.
28. CONSEIL IMPORTANT : Ne remplacez le fusible que par un fusible de même type et du même calibre. Si le fusible fond de façon répétée, veuillez consulter un centre de réparations agréé.
29. Pour séparer complètement l'appareil du secteur, débranchez le cordon secteur ou l'adaptateur de la prise murale.
30. Si votre appareil est muni d'un connecteur secteur verrouillable (Voxel), il faut d'abord déverrouiller le mécanisme avant d'enlever le cordon secteur. Attention, lorsque vous retirez le câble secteur, à ne pas faire bouger l'appareil, ce qui pourrait se traduire par un risque de chute, de blesser quelqu'un, ou tout autre dommage. Manipulez toujours le cordon secteur avec soin.
31. Débranchez la fiche secteur ou l'adaptateur de la prise murale en cas d'orage, ou si vous n'utilisez pas l'appareil pendant une longue période.

**ATTENTION :**

Ne démontez jamais le couvercle de l'appareil, vous risquez de recevoir un choc électrique. L'appareil ne renferme aucune pièce ni composant réparable ou remplaçable par l'utilisateur. Ne confiez l'entretien et la réparation qu'à un personnel qualifié.



Le pictogramme en forme de triangle équilatéral contenant un éclair terminé d'une flèche avertit l'utilisateur de la présence d'une tension dangereuse à l'intérieur de l'appareil, tension susceptible de provoquer un choc électrique.



Le pictogramme en forme de triangle équilatéral renfermant un point d'exclamation signale à l'utilisateur la présence d'instructions importantes concernant l'utilisation ou l'entretien de l'appareil.



ATTENTION ! Ce symbole correspond à des surfaces chaudes. En cours de fonctionnement, certaines parties de l'appareil peuvent devenir chaudes. Après utilisation, ne manipulez ou ne transportez l'appareil qu'au bout de 10 minutes de refroidissement.



Attention ! Cet appareil est conçu pour une utilisation à une altitude maximale de 2000 m au-dessus du niveau de la mer.



Attention ! Ce produit ne convient pas à une utilisation dans les climats tropicaux.

**ATTENTION ! NIVEAUX SONORES ÉLEVÉS SUR LES PRODUITS AUDIO**

Cet appareil a été conçu en vue d'une utilisation professionnelle. L'utilisation commerciale de cet appareil est soumise aux réglementations et directives en vigueur dans votre pays en matière de prévention d'accident. En tant que fabricant, Adam Hall est tenu de vous avertir formellement des risques relatifs à la santé. Risques provoqués par une exposition prolongée à des niveaux sonores élevés : Lors de l'utilisation de ce produit, il est possible d'atteindre des niveaux de pression sonore (exprimés en dB SPL) élevés, susceptibles de provoquer des dommages auditifs irréparables chez les artistes, les techniciens et le public. Évitez toute exposition prolongée à des niveaux de pression sonore élevés (supérieurs à 90 dB SPL).

**INTRODUCTION**

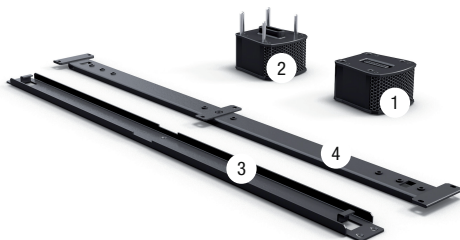
Les kits de montage conçus pour les colonnes d'enceintes de la série MAUI G2 permettent une installation esthétique, discrète et flexible. Chaque kit comprend deux adaptateurs dotés de connecteurs compatibles speakON, d'un bornier à vis et de connecteurs multibroches pour raccorder la colonne au caisson de basses. Tous les kits sont disponibles en noir ou en blanc.

**COMPOSANTS****Kit d'installation pour le montage mural horizontal des colonnes d'enceintes MAUI11G2 et MAUI28G2**

LDMG2IK1 (noir)

LDMG2IK1W (blanc)

1. Adaptateur destiné au raccordement de la colonne d'enceintes (avec connecteur compatible speakON, bornier à vis et connecteur à vis)
  2. Adaptateur destiné au raccordement du caisson de basses MAUI G2 (avec connecteur compatible speakON, bornier à vis et connecteur à vis)
  3. Rail de montage pour le montage vertical sur un mur
  4. Rail de support à poser sur la colonne d'enceintes
- (comprend 1 jeu de vis pour fixer le rail de support à la colonne d'enceintes et 1 vis de blocage, outils requis : clés à six pans de 3 mm et 4 mm)

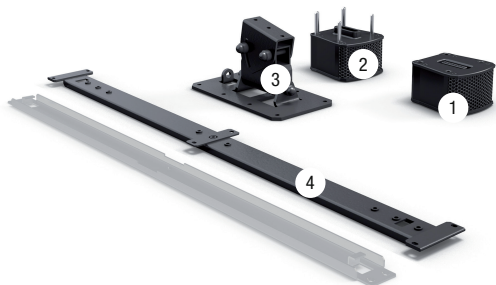


### Kit d'installation avec mécanisme d'inclinaison et d'orientation pour le montage mural des colonnes d'enceintes MAUI11G2 et MAUI28G2

LDMG2IK2 (noir)

LDMG2IK2W (blanc)

1. Adaptateur destiné au raccordement de la colonne d'enceintes (avec connecteur compatible speakON, bornier à vis et connecteur à vis)
  2. Adaptateur destiné au raccordement du caisson de basses MAUI G2 (avec connecteur compatible speakON, bornier à vis et connecteur à vis)
  3. Support inclinable et orientable pour le montage mural vertical
  4. Rail de support à poser sur la colonne d'enceintes (le rail de montage, représenté en gris sur l'illustration, est fourni pour des raisons logistiques mais n'est pas requis pour cette configuration de montage)
- (1 jeu de vis fourni pour fixer le rail de support à la colonne d'enceintes et le support inclinable et orientable au rail de support, outils requis : clés à six pans de 3 mm et 4 mm)

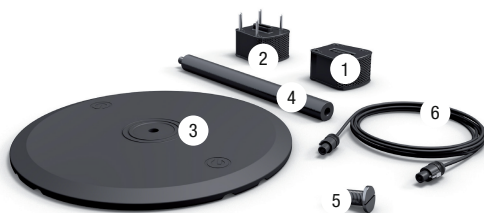


### Kit de montage sur pied pour les colonnes d'enceintes MAUI11G2 et MAUI28G2

LDMG2SPS (noir)

LDMG2SPSW (blanc)

1. Adaptateur destiné au raccordement de la colonne d'enceintes (avec connecteur compatible speakON, bornier à vis et connecteur à vis)
  2. Adaptateur destiné au raccordement du caisson de basses MAUI G2 (avec connecteur compatible speakON, bornier à vis et connecteur à vis)
  3. Pied de montage destiné à accueillir la barre d'écartement ou l'adaptateur de colonne
  4. Barre d'écartement (hauteur 55 cm) dotée d'une vis filetée M20 à l'extrémité supérieure et d'un filetage M20 à l'extrémité inférieure
  5. Vis M20 pour fixer la barre d'écartement ou l'adaptateur de colonne au pied de montage
  6. Câble de raccordement à 4 fils avec fiches de connexion compatibles speakON
- (outils requis : grand tournevis plat, clé à six pans de 3 mm)



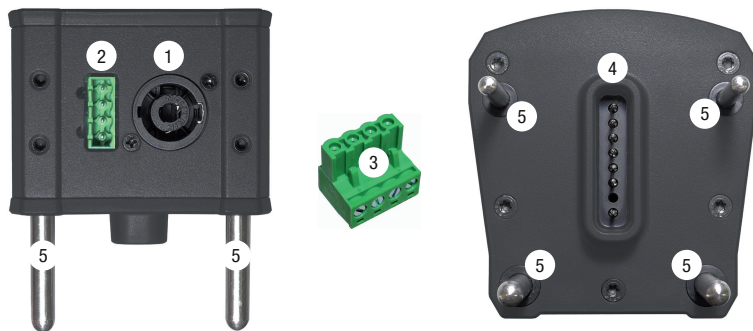
## ADAPTATEUR POUR LA COLONNE D'ENCEINTES

1. Connecteur compatible speakON pour raccorder l'adaptateur de colonne à l'adaptateur de caisson de basses. Le connecteur compatible speakON est raccordé en parallèle au bornier à vis (2).
2. Bornier à vis pour raccorder l'adaptateur de colonne à l'adaptateur de caisson de basses. Le bornier à vis est raccordé en parallèle au connecteur compatible speakON (1).
3. Connecteur à vis 4 broches.
4. Filetage avec vis sans tête (3 mm à six pans creux) pour bloquer les boulons en acier situés à l'arrière, après l'assemblage avec la colonne d'enceintes.
5. Connecteur multibroches destiné à transmettre les signaux des haut-parleurs pour la colonne d'enceintes.
6. Trous de guidage revêtus de caoutchouc pour un montage correctement réalisé et une fixation solide sur la colonne d'enceintes.
7. Filetage M20 pour fixer l'adaptateur de colonne à la barre d'écartement ou au pied de montage.



## ADAPTATEUR POUR LE CAISSON DE BASSES

1. Connecteur compatible speakON pour raccorder l'adaptateur de caisson de basses à l'adaptateur de colonne. Le connecteur compatible speakON est raccordé en parallèle au bornier à vis (2).
2. Bornier à vis pour raccorder l'adaptateur de caisson de basses à l'adaptateur de colonne. Le bornier à vis est raccordé en parallèle au connecteur compatible speakON (1).
3. Connecteur à vis 4 broches.
4. Connecteur multibroches destiné à transmettre les signaux des haut-parleurs pour la colonne d'enceintes.
5. Boulons de guidage en acier pour un montage correctement réalisé et une fixation solide sur le caisson de basses.



## MONTAGE MURAL DU LDMG2IK1

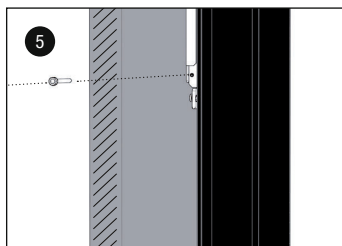
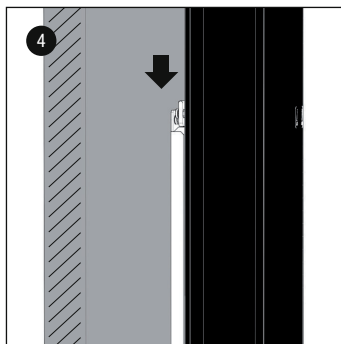
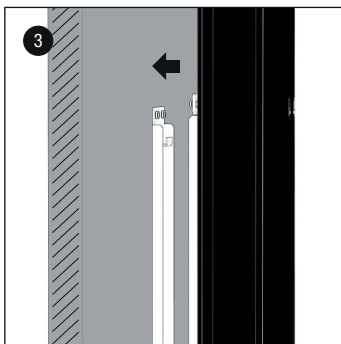
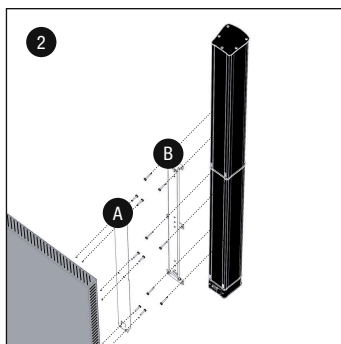
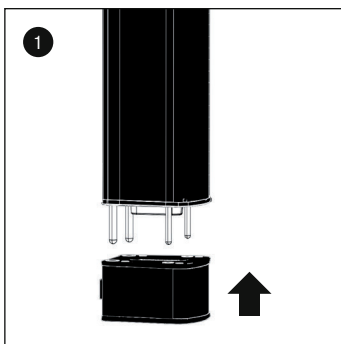
1. Brancher les deux connecteurs à vis fournis sur un câble de haut-parleurs à 4 fils (4 x 1,5 mm<sup>2</sup>) en veillant à réaliser un câblage en parallèle (pour l'affectation, voir les indications figurant sur l'adaptateur), puis insérer les connecteurs dans les ports prévus à cet effet des adaptateurs destinés à la colonne d'enceintes et au caisson de basses. Insérer ensuite l'adaptateur doté de 4 trous revêtus de caoutchouc par le dessous jusqu'en butée dans la colonne d'enceintes (desserrer éventuellement les vis sans tête à six pans creux de 3 mm de l'adaptateur) et le sécuriser à l'aide des deux vis sans tête de l'adaptateur. Le contact électrique requis pour la transmission des signaux vers la colonne d'enceintes s'établit automatiquement.

2. Visser ensuite le rail de montage A en position verticale, le côté plat et les pattes de support dirigés vers le haut, à un endroit approprié sur un mur suffisamment solide (6 vis, marquage « THIS SIDE UP » vers le haut). Utiliser des vis, des chevilles, etc. adaptées et s'assurer qu'il est bien fixé. Ôter les 6 vis sans tête (3 mm à six pans creux) se trouvant au dos de la colonne d'enceintes et visser le rail de support B, du côté de la face plane, sur la colonne d'enceintes MAUI G2 à l'aide des vis fournies (M5 x 10 mm, 4 mm à six pans creux). Veiller à respecter le marquage « THIS SIDE UP » figurant sur le rail de support.

3. + 4. Placer ensuite la colonne d'enceintes et le rail de support préalablement assemblés sur le rail de montage fixé au mur, de sorte que les pattes de support du rail de montage s'enclenchent dans les orifices du rail de support. Exercer une pression vers le bas sur la colonne, jusqu'en butée (env. 10 mm).

5. Sécuriser l'installation à l'aide de la vis de blocage fournie (M4, 3 mm à six pans creux). Le filetage correspondant se trouve en bas du rail de support de la colonne d'enceintes.

6. Insérer ensuite l'adaptateur doté de boulons en acier par le dessus et jusqu'en butée dans le caisson de basses.



## DIMENSIONS DU RAIL DE MONTAGE

ENGLISH

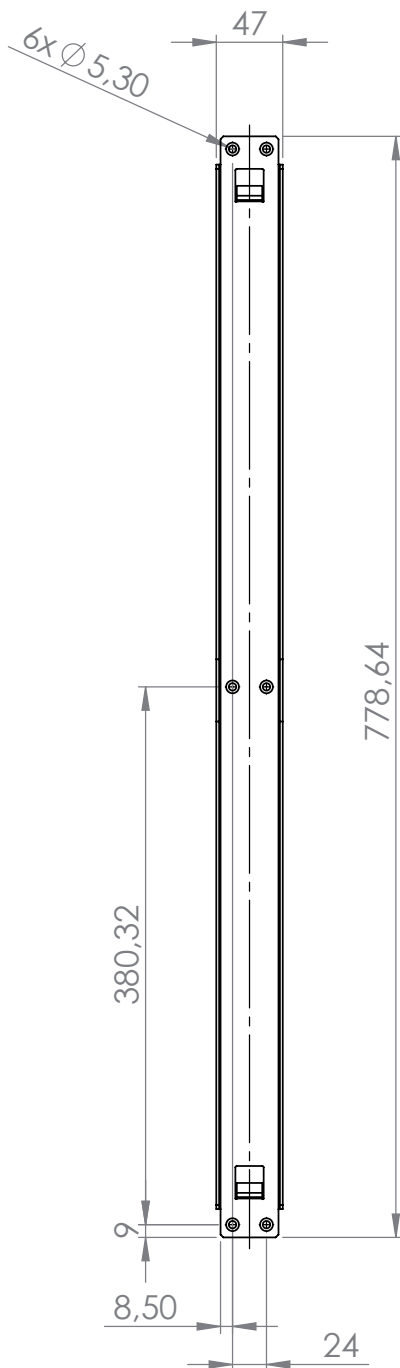
DEUTSCH

FRANCAIS

ESPAÑOL

POLSKI

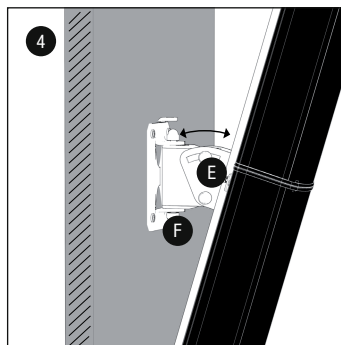
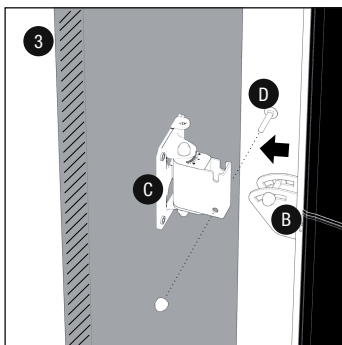
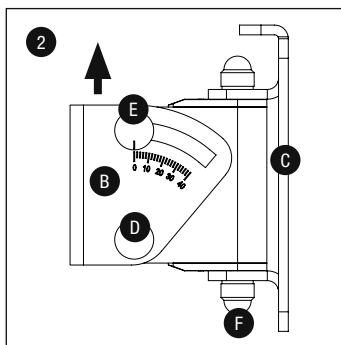
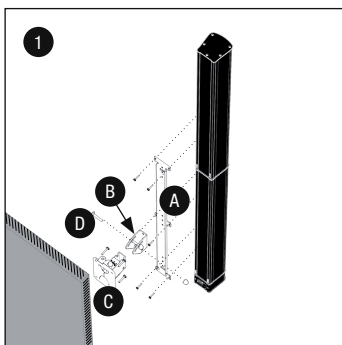
ITALIANO



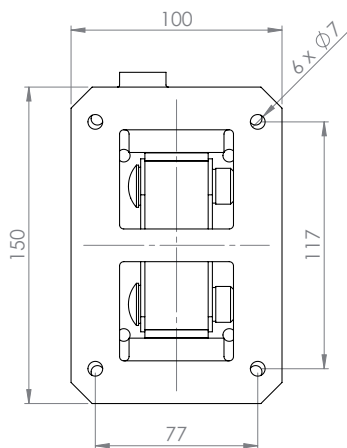


## MONTAGE MURAL DU LDMG2IK2

1. Ôter les 6 vis sans tête (3 mm à six pans creux) se trouvant au dos de la colonne d'enceintes et visser le rail de support A, du côté de la face plane, sur la colonne d'enceintes MAUI G2 à l'aide des vis fournies (M5 x 10 mm, 4 mm à six pans creux). Veiller à respecter le marquage « THIS SIDE UP » (Ce côté vers le haut) figurant sur le rail de support.
2. Desserrer légèrement la vis E (ne pas la retirer), puis desserrer la vis D du bras inclinable et orientable, la retirer et soulever l'étrier en U B du support. Fixer solidement l'étrier en U B à la position souhaitée du rail de support A à l'aide des 3 vis fournies (M5 x 10 mm, 4 mm à six pans creux) (pour une inclinaison maximale, opter pour la plus basse des 3 positions - MAUI11G2 = max. 22°, MAUI28G2 = max. 12°). Visser la plaque de montage C en position verticale, du côté de la face plane et avec l'œillet de sécurité vers le haut, à un endroit approprié sur un mur suffisamment solide (6 vis). Utiliser des vis, des chevilles, etc. adaptées et s'assurer qu'elle est bien fixée. Brancher ensuite les deux connecteurs à vis fournis sur un câble de haut-parleurs à 4 fils (4 x 1,5 mm<sup>2</sup>) en veillant à réaliser un câblage en parallèle (pour l'affectation, voir les indications figurant sur l'adaptateur), puis insérer les connecteurs dans les ports prévus à cet effet des adaptateurs destinés à la colonne d'enceintes et au caisson de basses. Insérer ensuite l'adaptateur doté de 4 trous revêtus de caoutchouc par le dessous jusqu'en butée dans la colonne d'enceintes (desserrer éventuellement les vis sans tête à six pans creux de 3 mm de l'adaptateur) et le sécuriser à l'aide des deux vis sans tête de l'adaptateur. Le contact électrique requis pour la transmission des signaux vers la colonne d'enceintes s'établit automatiquement.
3. Placer ensuite la colonne d'enceintes et l'étrier en U B préalablement assemblés sur le support fixé au mur, repositionner la vis D à l'emplacement prévu à cet effet et la fixer à l'aide de l'écrou précédemment ôté.
4. Vous avez la possibilité d'incliner la colonne d'enceintes sur le plan vertical en desserrant légèrement l'écrou E, puis en réglant l'angle souhaité avant de resserrer l'écrou. Vous pouvez également modifier l'inclinaison de la colonne sur le plan horizontal en desserrant légèrement l'écrou F (après avoir ôté la protection en plastique), puis en réglant l'angle à votre convenance avant de resserrer l'écrou.
5. Insérer ensuite l'adaptateur doté de boulons en acier par le dessus et jusqu'en butée dans le caisson de basses.

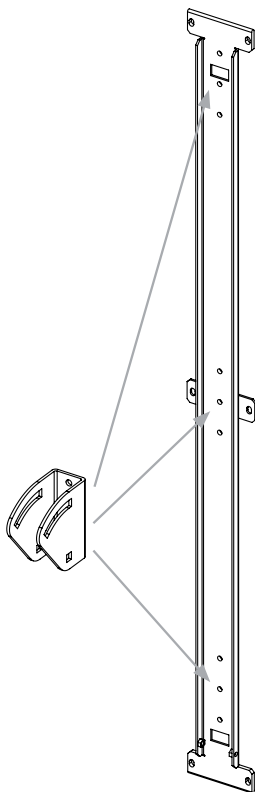


## DIMENSIONS DE LA PLAQUE DE MONTAGE



## POSITIONNEMENT DU SUPPORT INCLINABLE ET ORIENTABLE

L'étrier en U du support inclinable et orientable peut être installé sur 3 positions différentes du rail de support de la colonne d'enceintes. Sur la position la plus basse, le système offre un angle d'inclinaison maximal de 22° pour la colonne d'enceintes MAUI11G2 et de 12° pour le modèle MAUI28G2.



## MONTAGE DU LDMG2SPS

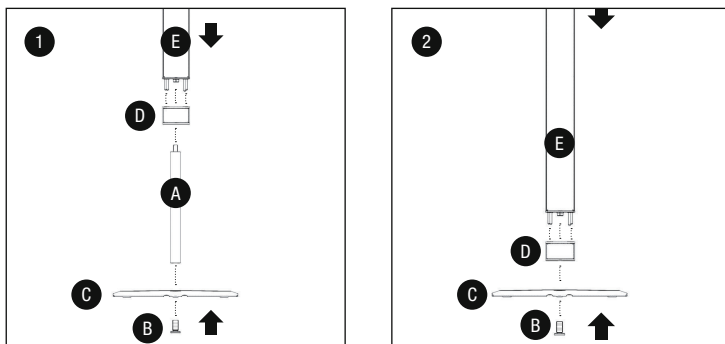
La colonne d'enceintes MAUI G2 peut être installée de deux façons différentes sur le pied de montage.

### 1. Installation sur le pied de montage avec la barre d'écartement de 55 cm

Fixer solidement la barre d'écartement A sur le pied de montage C à l'aide de la vis spéciale M20 B et s'assurer qu'elle est bien maintenue. Visser jusqu'en butée l'adaptateur D (avec filetage M20) sur la barre d'écartement. Installer ensuite la colonne d'enceintes E sur l'adaptateur de sorte qu'il soit inséré à fleur (desserrer éventuellement les vis sans tête à six pans creux de 3 mm de l'adaptateur). Les boulons de guidage en acier garantissent un montage simplifié et correctement réalisé ainsi qu'une fixation sécurisée. Le contact électrique requis pour la transmission des signaux vers la colonne d'enceintes s'établit automatiquement. Insérer ensuite à fleur l'adaptateur doté de 4 boulons en acier dans le caisson de basses et raccorder les deux adaptateurs à l'aide du câble de haut-parleurs fourni (à 4 fils avec connecteurs compatibles speakON).

### 2. Installation directe sur le pied de montage, sans barre d'écartement

Fixer solidement l'adaptateur D (avec filetage M20) sur le pied de montage C à l'aide de la vis spéciale M20 B et s'assurer qu'il est bien maintenu. Installer ensuite la colonne d'enceintes E sur l'adaptateur de sorte qu'il soit inséré à fleur (desserrer éventuellement les vis sans tête à six pans creux de 3 mm de l'adaptateur). Les boulons de guidage en acier garantissent un montage simplifié et correctement réalisé ainsi qu'une fixation sécurisée. Le contact électrique requis pour la transmission des signaux vers la colonne d'enceintes s'établit automatiquement. Insérer ensuite à fleur l'adaptateur doté de 4 boulons en acier dans le caisson de basses et raccorder les deux adaptateurs à l'aide du câble de haut-parleurs fourni (à 4 fils avec connecteurs compatibles speakON).



## CARACTÉRISTIQUES TECHNIQUES

Référence :	LDMG2IK1	LDMG2IK1W
Catégorie :	Accessoires pour enceintes de sonorisation	Accessoires pour enceintes de sonorisation
Type :	Support mural	Support mural
Matériau :	Acier	Acier
Finition :	Peinture thermolaquée	Peinture thermolaquée
Couleur :	Noir	Blanc
Charge maximale :	12 kg	12 kg
Dimensions (LxHxP) :	75 mm x 810 mm x 15 mm	75 mm x 810 mm x 15 mm
Poids :	1,5 kg	1,5 kg
Type :	Adaptateur colonne	Adaptateur colonne
Caractéristiques :	Connecteur compatible Speakon, connecteur Euroblock, insert fileté M20	Connecteur compatible Speakon, connecteur Euroblock, insert fileté M20
Matériau :	Aluminium	Aluminium
Finition :	Peinture thermolaquée	Peinture thermolaquée
Couleur :	Noir	Blanc
Dimensions (LxHxP) :	100 mm x 65 mm x 105 mm	100 mm x 65 mm x 105 mm
Poids :	0,7 kg	0,7 kg
Type :	Adaptateur pour caisson de basses	Adaptateur pour caisson de basses
Caractéristiques :	Connecteur compatible Speakon, connecteur Euroblock	Connecteur compatible Speakon, connecteur Euroblock
Matériau :	Aluminium	Aluminium
Finition :	Peinture thermolaquée	Peinture thermolaquée
Couleur :	Noir	Blanc
Dimensions (LxHxP) :	100 mm x 105 mm x 105 mm	100 mm x 105 mm x 105 mm
Poids :	0,5 kg	0,5 kg
Type :	Connecteur Euroblock	Connecteur Euroblock
Couleur :	Vert	Vert
Caractéristiques :	4 bornes	4 bornes
Quantité :	2 pièces	2 pièces
Référence :	LDMG2IK2	LDMG2IK2W
Catégorie :	Accessoires pour enceintes de sonorisation	Accessoires pour enceintes de sonorisation
Type :	Support mural	Support mural
Matériau :	Acier	Acier
Finition :	Peinture thermolaquée	Peinture thermolaquée
Couleur :	Noir	Blanc
Charge maximale :	12 kg	12 kg
Dimension (LxHxP) :	75 mm x 810 mm x 135 mm	75 mm x 810 mm x 135 mm
Poids :	2,5 kg	2,5 kg
Type :	Adaptateur colonne	Adaptateur colonne

Caractéristiques :	Connecteur compatible Speakon, connecteur Euroblock, insert fileté M20	Connecteur compatible Speakon, connecteur Euroblock, insert fileté M20
Matériau :	Aluminium	Aluminium
Finition :	Peinture thermolaquée	Peinture thermolaquée
Couleur :	Noir	Blanc
Dimensions (LxHxP) :	100 mm x 65 mm x 105 mm	100 mm x 65 mm x 105 mm
Poids :	0,7 kg	0,7 kg
Type :	Adaptateur pour caisson de basses	Adaptateur pour caisson de basses
Caractéristiques :	Connecteur compatible Speakon, connecteur Euroblock	Connecteur compatible Speakon, connecteur Euroblock
Matériau :	Aluminium	Aluminium
Finition :	Peinture thermolaquée	Peinture thermolaquée
Couleur :	Noir	Blanc
Dimensions (LxHxP) :	100 mm x 105 mm x 105 mm	100 mm x 105 mm x 105 mm
Poids :	0,5 kg	0,5 kg
Type :	Connecteur Euroblock	Connecteur Euroblock
Couleur :	Vert	Vert
Caractéristiques :	4 bornes	4 bornes
Quantité :	2 pièces	2 pièces

Référence :	LDMG2SPS	LDMG2SPSW
Catégorie :	Accessoires pour enceintes de sonorisation	Accessoires pour enceintes de sonorisation
Type :	Mât	Mât
Matériau :	Acier	Acier
Finition :	Peinture thermolaquée	Peinture thermolaquée
Couleur :	Noir	Blanc
Longueur :	500 mm	500 mm
Poids :	1 kg	1 kg
Type :	Socle	Socle
Matériau :	Fonte moulée	Socle
Finition :	Peinture thermolaquée	Peinture thermolaquée
Couleur :	Noir	Blanc
Diamètre :	450 mm	450 mm
Poids :	9 kg	9 kg
Type :	Adaptateur colonne	Adaptateur colonne
Caractéristiques :	Connecteur compatible Speakon, connecteur Euroblock, insert fileté M20	Connecteur compatible Speakon, connecteur Euroblock, insert fileté M20
Matériau :	Aluminium	Aluminium
Finition :	Peinture thermolaquée	Peinture thermolaquée

Couleur :	Noir	Blanc
Dimensions (LxHxP) :	100 mm x 65 mm x 105 mm	100 mm x 65 mm x 105 mm
Poids :	0,7 kg	0,7 kg

Type :	Adaptateur pour caisson de basses	Adaptateur pour caisson de basses
Caractéristiques :	Connecteur compatible Speakon, connecteur Euroblock	Connecteur compatible Speakon, connecteur Euroblock

Matériau :	Aluminium	Aluminium
Finition :	Peinture thermolaquée	Peinture thermolaquée
Couleur :	Noir	Blanc
Dimensions (LxHxP) :	100 mm x 105 mm x 105 mm	100 mm x 105 mm x 105 mm
Poids :	0,5 kg	0,5 kg

Type :	Câble enceinte	Câble enceinte
Connecteurs :	Compatible Speakon	Compatible Speakon
Couleur :	Noir	Noir
Longueur :	5 m	5 m
Poids :	0,9 kg	0,9 kg

Type :	Connecteur Euroblock	Connecteur Euroblock
Couleur :	Vert	Vert
Caractéristiques :	4 bornes	4 bornes
Quantité :	2 pièces	2 pièces

## DECLARATIONS

### GARANTIE FABRICANT & LIMITATION DE RESPONSABILITÉ

Nos conditions actuelles de garantie et de limitation de responsabilité sont disponibles à l'adresse suivante : <http://www.adamhall.com/media/shop/downloads/documents/manufacturersdeclarations.pdf>. Pour les réparations, veuillez contacter Adam Hall GmbH, Daimlerstraße 9, 61267 Neu Anspach / E-Mail [Info@adamhall.com](mailto:Info@adamhall.com) / +49 (0)6081 / 9419-0.



### TRI ET MISE AUX DÉCHETS CORRECTE DE CE PRODUIT

(Valid in the European Union and other European countries with waste separation)  
 (Applicable dans l'Union Européenne et les autres pays européens pratiquant le tri des déchets) La présence de ce symbole sur le produit ou sur la documentation correspondante indique qu'en fin de vie, le produit ne doit pas être jeté avec les déchets normaux, afin d'éviter tout dommage à l'environnement ou aux personnes consécutive à une élimination non contrôlée des déchets. Séparez-le des autres types de déchets et recyclez-le, afin de promouvoir la réutilisation durable des ressources naturelles. Nous conseillons aux utilisateurs non professionnels de contacter le revendeur chez qui ils ont acheté le produit, ou un représentant gouvernemental local, pour plus de détails sur le lieu de collecte et la façon de recycler cet appareil dans le meilleur respect de l'environnement possible. Nous invitons les utilisateurs professionnels à contacter leur fournisseur et à vérifier les termes et conditions de leur contrat d'achat. Ce produit ne doit pas être mélangé à d'autres déchets commerciaux lors de la collecte.

### Conformité CE

La société Adam Hall GmbH déclare par la présente que ce produit est conforme avec les réglementations suivantes (le cas échéant) :  
 R&TTE (1999/5/EG) et RED (2014/53/EU) à partir de juin 2017  
 Directive basse tension (2014/35/EU)  
 Directive CEM (2014/30/EU)  
 RoHS (2011/65/EU)

La Déclaration de Conformité complète est disponible sur le site Web [www.adamhall.com](http://www.adamhall.com).  
 Pour toute information complémentaire, contactez-nous : [info@adamhall.com](mailto:info@adamhall.com).

**¡GRACIAS POR ELEGIR LD-SYSTEMS!**

Este equipo está diseñado y fabricado con los estándares de calidad más exigentes, para garantizar un correcto funcionamiento durante muchos años. Los productos de LD-Systems se caracterizan por su gran calidad, avalada por el prestigio de la marca y una dilatada experiencia como fabricante. Lea atentamente este manual de usuario para poder aprovechar rápidamente toda la funcionalidad de su nuevo producto de LD Systems.

Si desea obtener información sobre LD-SYSTEMS, visite nuestro sitio web [WWW.LD-SYSTEMS.COM](http://WWW.LD-SYSTEMS.COM)

**MEDIDAS DE SEGURIDAD**

1. Lea atentamente las instrucciones de este manual.
2. Guarde toda la información en un lugar seguro para futuras consultas.
3. Siga las instrucciones indicadas.
4. Siga todas las advertencias. No quite las instrucciones de seguridad ni cualquier otra información indicada en el equipo.
5. Utilice el equipo únicamente según la finalidad prevista.
6. Utilice solo soportes y fijaciones que sean robustos y adecuados cuando instale el equipo en instalaciones fijas. Asegúrese de que los soportes de pared están correctamente instalados y firmemente fijados. Asegúrese de que el equipo está sólidamente instalado y no se puede caer.
7. Al instalar el equipo, respete las normas de seguridad aplicables en su país.
8. Evite instalar el equipo cerca de radiadores, acumuladores de calor, estufas o cualquier otra fuente de calor. Asegúrese de que el equipo esté instalado en un lugar con ventilación suficiente para evitar cualquier sobrecalentamiento.
9. No coloque sobre el equipo fuentes de llamas sin protección, por ejemplo, velas encendidas.
10. Evite bloquear las rejillas de ventilación. ¡Evite la luz solar directa!
11. No utilice este equipo cerca del agua (excepto los equipos específicamente diseñados para uso en exterior, en cuyo caso tenga en cuenta las indicaciones mencionadas a continuación). No exponga este equipo a materiales, líquidos o gases inflamables.
12. Evite exponer el equipo a gotas o salpicaduras que puedan caer dentro del mismo. No coloque recipientes llenos de líquido, como floreros o vasos, sobre el equipo.
13. Asegúrese de no dejar caer ningún objeto dentro del equipo.
14. Emplee el equipo únicamente con los accesorios recomendados por el fabricante.
15. No abra el equipo ni intente modificarlo.
16. Una vez conectado el equipo, compruebe que en toda la longitud del cableado no hay peligro de que provoque una caída, por ejemplo.
17. Durante el transporte, asegúrese de que el equipo no se caiga y pueda causar daños personales o materiales.
18. Si el equipo no funciona correctamente, o si se ha vertido líquido sobre él, o si un objeto ha caído en su interior o si ha sufrido algún desperfecto, apague inmediatamente el equipo y desenchufe el cable eléctrico (si se trata de un equipo activo). Únicamente un técnico especialista debe reparar el equipo.
19. Para limpiar el equipo utilice un paño seco.
20. Procure seguir las normas vigentes en su país sobre reciclaje de desechos. Separe los componentes de plástico, papel y cartón del paquete para reciclarlos en sus contenedores respectivos.
21. No deje las bolsas de plástico al alcance de los niños.

**PARA LOS EQUIPOS CON TOMA ELÉCTRICA**

22. ADVERTENCIA: Si el cable eléctrico está provisto de un contacto de protección, debe conectarse a una toma eléctrica con conexión a tierra. No desactivar nunca esta conexión de protección a tierra del cable eléctrico.
23. Si el equipo ha estado expuesto a un cambio brusco de temperatura (por ejemplo, después del transporte), no lo encienda inmediatamente. La condensación o la humedad podrían dañar el equipo. Deje que el equipo alcance la temperatura ambiente antes de encenderlo.
24. Antes de conectar el cable eléctrico a la toma de corriente, compruebe si la tensión y la frecuencia del suministro eléctrico coinciden con las especificaciones de este equipo. Si el equipo dispone de un selector de tensión, antes de enchufarlo a la red eléctrica, asegúrese de que el valor seleccionado coincide con la tensión de suministro. Si el enchufe o el adaptador de corriente no encajan en la toma eléctrica, consulte a un electricista.
25. Asegúrese de que el cable eléctrico no está pinzado. Evite que el cable resulte pellizcado, sobre todo en los extremos de conexión al equipo y en la toma eléctrica.
26. Al conectar el equipo, asegúrese de que el cable eléctrico o el adaptador de corriente estén siempre accesibles. Desconecte el equipo de la toma de corriente cuando no esté en uso o antes de limpiarlo. Para ello, desconecte el cable eléctrico y el adaptador de corriente del conector del equipo en vez de desenchufar el cable de la toma eléctrica. No tocar el cable eléctrico ni el adaptador de corriente con las manos húmedas.
27. No encienda y apague el equipo en cortos intervalos de tiempo, ya que se reduce así la vida útil del sistema.
28. NOTA IMPORTANTE: Sustituya los fusibles únicamente por otros del mismo tipo y de las mismas características. Si el fusible se funde continuamente, póngase en contacto con un servicio técnico autorizado.
29. Para desconectar completamente el equipo de la tensión eléctrica, desenchufe el cable eléctrico o el adaptador de corriente de la toma eléctrica.
30. Si el equipo dispone de un enchufe eléctrico Volex, deberá desbloquearse el Volex del equipo para desenchufarlo. Esto implica que un tirón en el cable eléctrico puede desplazar el equipo y provocar daños personales o materiales. Por tanto, asegúrese de instalar los cables con sumo cuidado.
31. Si es probable que caiga un rayo por una tormenta eléctrica o si no va a emplear el equipo durante mucho tiempo, desenchufe el cable eléctrico y el adaptador de corriente.

**ATENCIÓN:**

Para evitar el riesgo de descarga eléctrica, no retire la tapa. El equipo no contiene elementos que el usuario pueda reparar o sustituir. Para cualquier tarea de mantenimiento o reparación, acuda a un técnico cualificado.



El símbolo de rayo dentro de un triángulo equilátero advierte al usuario de la presencia de tensiones peligrosas sin aislamiento dentro del equipo que pueden causar una descarga eléctrica.



El símbolo de exclamación dentro de un triángulo equilátero advierte al usuario de la existencia de importantes instrucciones de uso y mantenimiento.



¡Advertencia! Este símbolo indica la presencia de superficies calientes. Durante el funcionamiento, algunas partes de la carcasa pueden llegar a calentarse bastante. Por ello, una vez apagado el equipo, espere al menos 10 minutos antes de manipularlo o transportarlo.



¡Advertencia! Este equipo está diseñado para ser utilizado a una altura que no supere los 2000 metros sobre el nivel del mar.



¡Advertencia! Este equipo no está diseñado para funcionar en climas tropicales.

**¡ADVERTENCIA: ALTO VOLUMEN!**

Este equipo se destina a un uso profesional. Por consiguiente, si se aplica a un uso comercial, estará sujeto a las normas y reglamentos de la Asociación para la prevención de accidentes de su sector profesional. Como fabricante, Adam Hall tiene la obligación de informar formalmente a los usuarios de la existencia de posibles riesgos para la salud. Daños auditivos por exposición prolongada a un nivel SPL alto: este equipo puede generar fácilmente un nivel de presión sonora (SPL) lo suficientemente elevado como para causar daños auditivos permanentes a los artistas, el personal de producción y el público. Deben tomarse precauciones para evitar la exposición prolongada a un SPL de más de 90 dB.

**INTRODUCCIÓN**

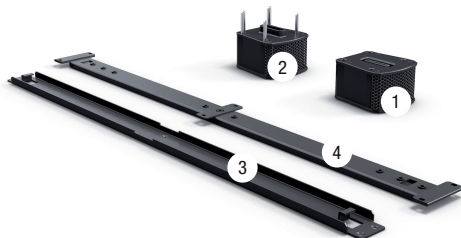
Los sets de montaje para las columnas de altavoces de la serie MAUI G2 permiten un montaje elegante, discreto y flexible. Cada uno de los sets contiene dos adaptadores que están dotados de una toma compatible con Speakon, toma de rosca y conexión multipin para conectar las columnas al subwoofer. Todos los sets están disponibles en color blanco o negro.

**COMPONENTES****Set de instalación para un montaje mural plano de las columnas de altavoces MAUI11G2 y MAUI28G2**

LDMG2IK1 (negro)  
LDMG2IK1W (blanco)

1. Adaptador para conexión a la columna de altavoces (con conexión compatible con Speakon, toma de rosca y conector de rosca)
2. Adaptador para conexión al subwoofer de la MAUI G2 (con conexión compatible con Speakon, toma de rosca y conector de rosca)
3. Riel de montaje para montaje vertical en una pared
4. Riel de soporte para aplicación a la columna de altavoces

(Incluidos 1 juego de tornillos para el montaje del riel de soporte a la columna de altavoces y 1 tornillo de seguridad; herramienta necesaria: llave hexagonal de 3 mm y 4 mm)





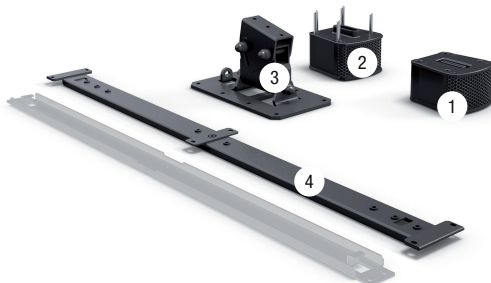
### Set de instalación con mecanismo basculante y giratorio para el montaje mural de la MAUI11G2 y la MAUI28G2

LDMG2IK2 (negro)

LDMG2IK2W (blanco)

1. Adaptador para conexión a la columna de altavoces (con conexión compatible con Speakon, toma de rosca y conector de rosca)
2. Adaptador para conexión al subwoofer de la MAUI G2 (con conexión compatible con Speakon, toma de rosca y conector de rosca)
3. Soporte basculante y giratorio para el montaje mural vertical
4. Riel de soporte para instalación en la columna de altavoces (por motivos lógicos, el riel de montaje que se muestra atenuado en color gris no se incluye entre los contenidos suministrados, aunque tampoco es necesario para este tipo de montaje)

(Incluidos 1 juego de tornillos para el montaje del riel de soporte a la columna de altavoces y del soporte basculante y giratorio al riel de soporte; herramienta necesaria: llave hexagonal de 3 mm y 4 mm)



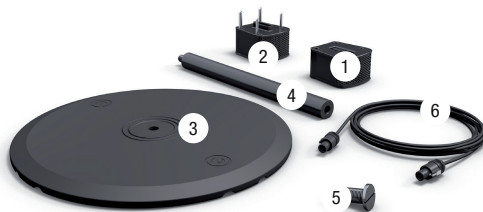
### Set de pies de soporte para las columnas de altavoces MAUI11G2 y MAUI28G2

LDMG2SPS (negro)

LDMG2SPSW (blanco)

1. Adaptador para conexión a la columna de altavoces (con conexión compatible con Speakon, toma de rosca y conector de rosca)
2. Adaptador para conexión al subwoofer de la MAUI G2 (con conexión compatible con Speakon, toma de rosca y conector de rosca)
3. Pie de montaje para la instalación de la barra distanciadora o del adaptador de columna
4. Barra distanciadora (altura 55 cm) con tornillo de rosca M20 en el extremo superior y tuerca M20 en el extremo inferior
5. Tornillo M20 para conectar la barra distanciadora o el adaptador de columna con el pie de montaje
6. Cable de conexión de 4 hilos con conectores compatibles con Speakon

(Herramientas necesarias: destornillador plano grande y llave hexagonal de 3 mm)



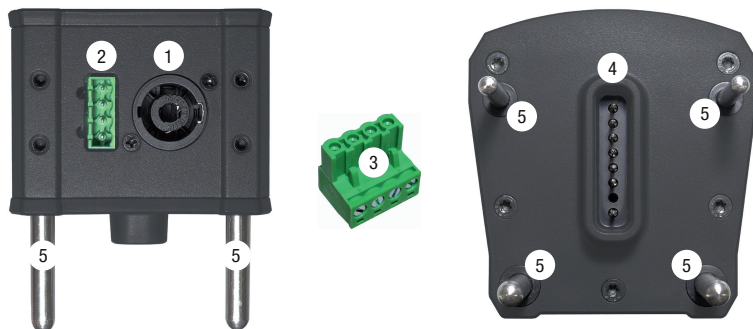
## ADAPTADOR PARA COLUMNA DE ALTAVOCES

1. Conexión compatible con Speakon para conectar el adaptador de la columna al adaptador del subwoofer. La conexión compatible con Speakon está cableada en paralelo con la toma de rosca (2).
2. Toma de rosca para conectar el adaptador de la columna al adaptador del subwoofer. La toma de rosca está cableada en paralelo con la toma compatible con Speakon (1).
3. Conector de rosca de 4 pines.
4. Rosca con tornillo sin cabeza (hexágono interior de 3 mm) para bloquear los pernos de acero traseros tras el montaje con la columna de altavoces.
5. Conexión multipin para transmitir la señal de los altavoces para la columna de altavoces.
6. Orificios guía engomados para un montaje correcto y una buena sujeción en la columna de altavoces.
7. Rosca M20 para unir el adaptador de columna a la barra distanciadora o al pie de montaje.



## ADAPTADOR PARA SUBWOOFER

1. Conexión compatible con Speakon para conectar el adaptador del subwoofer al adaptador de columna. La conexión compatible con Speakon está cableada en paralelo con la toma de rosca (2).
2. Toma de rosca para conectar el adaptador del subwoofer al adaptador de columna. La toma de rosca está cableada en paralelo con la toma compatible con Speakon (1).
3. Conector de rosca de 4 pines.
4. Conexión multipin para transmitir la señal de los altavoces para la columna de altavoces.
5. Pernos guía de acero para un montaje correcto y una buena sujeción al subwoofer.



## MONTAJE MURAL LDMG21K1

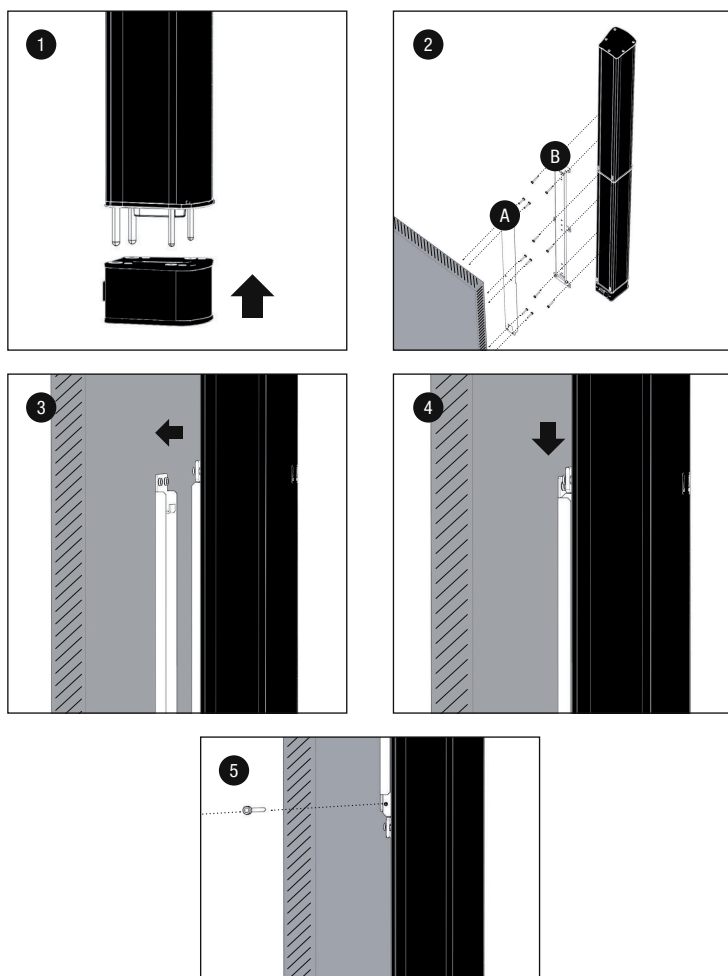
1. Monte los dos conectores de rosca suministrados a un cable de altavoz de 4 hilos (4 x 1,5 mm<sup>2</sup>), asegurándose de que el cableado discorra en paralelo (para saber cómo realizar la colocación, observe la impresión sobre el adaptador), e introduzca los conectores en las tomas previstas a tal efecto en los adaptadores para las columnas de altavoces y el subwoofer. Ahora, introduzca el adaptador con los 4 orificios engomados desde abajo, hasta que choque con el fondo, en la columna de altavoces (si es necesario, afloje ligeramente en el adaptador los tornillos sin cabeza de un hexágono interior de 3 mm) y fíjelo con los tornillos sin cabeza en el adaptador. De ese modo, se creará automáticamente el contacto eléctrico para la transmisión de la señal de la columna de altavoces.

2. Ahora, atornille el riel de montaje A, con la parte plana y las lengüetas de retención orientadas hacia arriba, en un lugar adecuado y en sentido perpendicular sobre una pared resistente (usando 6 tornillos, con la indicación «THIS SIDE UP» hacia arriba). Utilice tornillos, tacos, etc. adecuados y asegúrese de que el montaje quede bien fijado. Extraiga los 6 tornillos sin cabeza (hexágono interior de 3 mm) de los lugares correspondientes en la parte trasera de la columna de altavoces y atornille el riel de soporte B con la parte plana sobre la columna de altavoces MAUI G2 usando los tornillos suministrados (M5 x 10 mm, hexágono interior de 4 mm). Asegúrese de que la indicación «THIS SIDE UP» del riel de soporte quede orientada hacia arriba.

3. + 4. Ahora, coloque la columna de altavoces con el riel de soporte montado sobre el riel de montaje en la pared, de manera que las lengüetas de retención del riel de montaje queden fijadas a las muescas del riel de soporte y empujen la columna hacia abajo, hasta llegar al fondo (unos 10 mm).

5. Fije la conexión mediante el tornillo de seguridad suministrado (M4, hexágono interior de 3 mm). La tuerca correspondiente se encuentra en la parte inferior del riel de soporte de la columna de altavoces.

6. Ahora, introduzca en el subwoofer desde arriba el adaptador con los pernos de acero hasta que llegue al fondo.



## DIMENSIONES DEL RIEL DE MONTAJE

ENGLISH

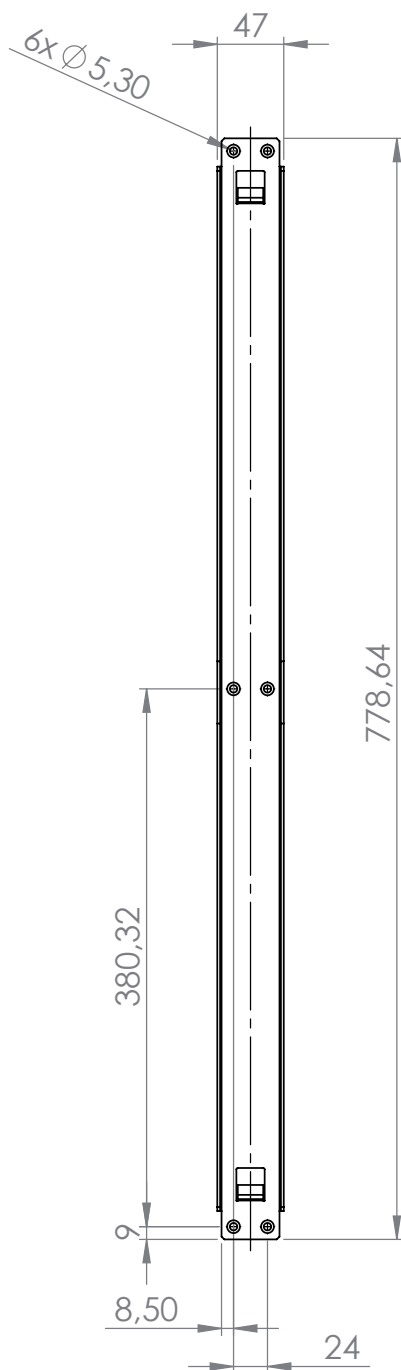
DEUTSCH

FRANCAIS

ESPAÑOL

POLSKI

ITALIANO



## MONTAJE MURAL LDMG2IK2

1. Extraiga los 6 tornillos sin cabeza (hexágono interior de 3 mm) de los lugares correspondientes en la parte trasera de la columna de altavoces y atornille el riel de soporte A con la parte plana sobre la columna de altavoces MAUI G2 usando los tornillos suministrados (M5 x 10 mm, hexágono interior de 4 mm). Asegúrese de que la indicación «THIS SIDE UP» («Este lado hacia arriba») del riel de soporte quede orientada hacia arriba.

2. Afloje el tornillo E ligeramente (no lo extraiga), afloje el tornillo D del brazo basculante y giratorio y extraiga ese tornillo y levante la abrazadera en U «B» sacándola del soporte. Atornille la abrazadera en U «B» en la posición deseada en el riel de soporte A mediante 3 de los tornillos suministrados (M5 x 10 mm, hexágono interior de 4 mm) de manera que quede bien apretado (para una inclinación máxima, emplee la más baja de las 3 posiciones - MAUI11G2 = máx. 22°, MAUI28G2 = máx. 12°).

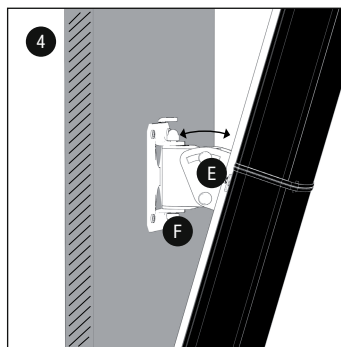
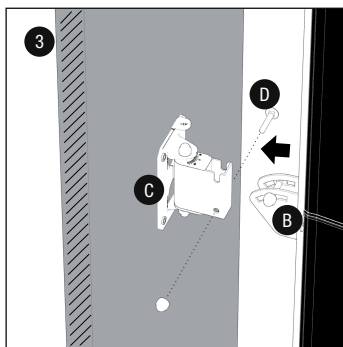
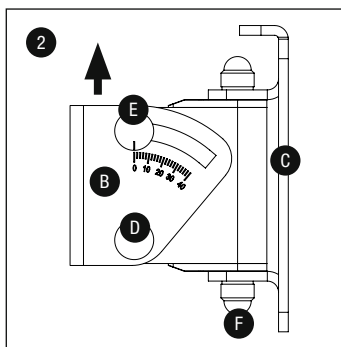
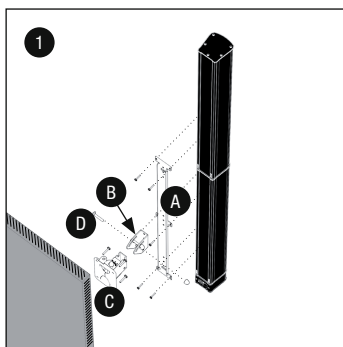
Atornille la placa de montaje C, con la parte plana y la anilla de seguridad orientada hacia arriba, en un lugar adecuado y en sentido perpendicular sobre una pared resistente (usando 6 tornillos). Utilice tornillos, tacos, etc. adecuados y asegúrese de que el montaje quede bien fijado.

Ahora, monte los dos conectores de rosca suministrados a un cable de altavoz de 4 hilos (4 x 1,5 mm<sup>2</sup>), asegurándose de que el cableado discurra en paralelo (para saber cómo realizar la colocación, observe la impresión sobre el adaptador), e introduzca los conectores en las tomas previstas a tal efecto en los adaptadores para las columnas de altavoces y el subwoofer. Ahora, introduzca el adaptador con los 4 orificios engomados desde abajo, hasta que choque con el fondo, en la columna de altavoces (si es necesario, afloje ligeramente en el adaptador los tornillos sin cabeza de un hexágono interior de 3 mm) y fjelo con los tornillos sin cabeza en el adaptador. De ese modo, se creará automáticamente el contacto eléctrico para la transmisión de la señal de la columna de altavoces.

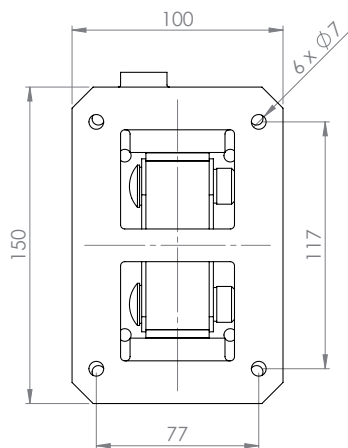
3. Ahora, coloque en el soporte mural la columna de altavoces con la abrazadera en U «B» montada, vuelva a colocar el tornillo D en el lugar previsto a tal efecto y fjelo mediante la tuerca previamente extraída.

4. Puede ajustar la inclinación vertical de la columna de altavoces aflojando ligeramente la tuerca E, ajustando el ángulo deseado y apretando de nuevo la tuerca. También puede ajustar la inclinación horizontal de la columna aflojando ligeramente la tuerca F (retire antes la tapa de plástico), ajustando el ángulo deseado y apretando de nuevo la tuerca.

5. Ahora, introduzca en el subwoofer desde arriba el adaptador con los pernos de acero hasta que llegue al fondo.

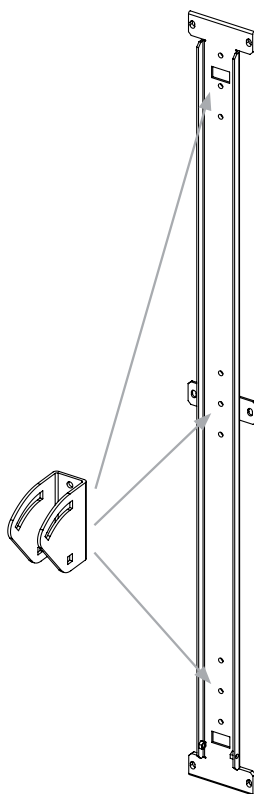


## DIMENSIONES DE LA PLACA DE MONTAJE



## POSICIONAMIENTO DEL SOPORTE BASCULANTE Y GIRATORIO

La abrazadera en U del soporte basculante y giratorio puede montarse en 3 posiciones distintas del riel de soporte de la columna de altavoces. En la posición inferior, el sistema ofrece el máximo ángulo de inclinación: 22° en la columna de altavoces MAUI11G2 y 12° en la MAUI28G2.



## MONTAJE LDMG2SPS

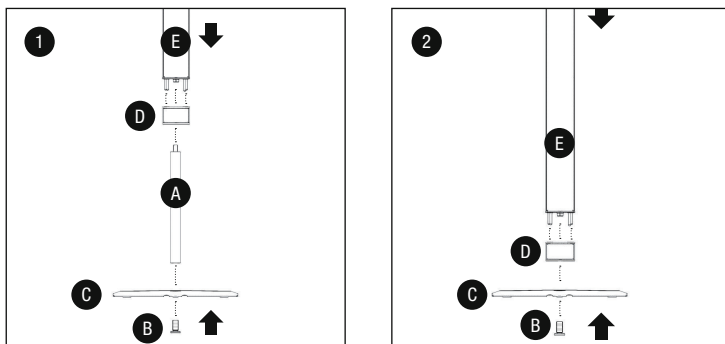
Existen dos posibilidades de montaje de la columna de altavoces MAUI G2 sobre el pie de montaje.

### 1. Montaje con una barra distanciadora de 55 cm sobre el pie de montaje.

Atornille la barra distanciadora A con el tornillo especial M20 «B» en el pie de montaje C, asegurándose de que quede bien apretada. Atornille el adaptador D (con tuerca M20) en la barra distanciadora hasta que llegue al fondo. Ahora, encaje bien la columna de altavoces E en el adaptador (si es necesario, afloje ligeramente los tornillos sin cabeza de hexágono interior de 3 mm en el adaptador). Los pernos guía de acero facilitarán un montaje correcto y, al mismo tiempo, garantizarán que el dispositivo quede fijado de forma segura. De ese modo, se creará automáticamente el contacto eléctrico para la transmisión de la señal de la columna de altavoces. Ahora, encaje bien el adaptador con los 4 pernos de acero en el subwoofer y conecte los dos adaptadores mediante el cable de altavoz suministrado (conectores de 4 hilos compatibles con Speakon).

### 2. Montaje directamente sobre el pie de montaje, sin barra distanciadora.

Atornille el adaptador D (con la tuerca M20) mediante el tornillo especial M20 «B» en el pie de montaje C, asegurándose de que quede bien apretado. Ahora, encaje bien la columna de altavoces E en el adaptador (si es necesario, afloje ligeramente los tornillos sin cabeza de hexágono interior de 3 mm en el adaptador). Los pernos guía de acero facilitarán un montaje correcto y, al mismo tiempo, garantizarán que el dispositivo quede fijado de forma segura. De ese modo, se creará automáticamente el contacto eléctrico para la transmisión de la señal de la columna de altavoces. Ahora, encaje bien el adaptador con los 4 pernos de acero en el subwoofer y conecte los dos adaptadores mediante el cable de altavoz suministrado (conectores de 4 hilos compatibles con Speakon).



## DATOS TÉCNICOS

Nombre del modelo:	LDMG2IK1	LDMG2IK1W
Tipo:	Accesorios para altavoces de PA	Accesorios para altavoces de PA
Pieza:	Soporte para montaje en pared	Soporte para montaje en pared
Material:	Acero	Acero
Superficie:	Pintura en polvo	Pintura en polvo
Color:	Negro	Blanco
Máx. carga	12 kg	12 kg
Dimensiones (L x A x P):	75 mm x 810 mm x 15 mm	75 mm x 810 mm x 15 mm
Peso:	1,5 kg	1,5 kg
Pieza:	Adaptador de columna	Adaptador de columna
Características:	Compatible con Speakon, conexión de bloque de terminales, rosca M20	Compatible con Speakon, conexión de bloque de terminales, rosca M20
Material:	Aluminio	Aluminio
Superficie:	Pintura en polvo	Pintura en polvo
Color:	Negro	Blanco
Dimensiones (L x A x P):	100 mm x 65 mm x 105 mm	100 mm x 65 mm x 105 mm
Peso:	0,7 kg	0,7 kg
Pieza:	Adaptador de subwoofer	Adaptador de subwoofer
Características:	Compatible con Speakon, conexión de bloque de terminales	Compatible con Speakon, conexión de bloque de terminales
Material:	Aluminio	Aluminio
Superficie:	Pintura en polvo	Pintura en polvo
Color:	Negro	Blanco
Dimensiones (L x A x P):	100 mm x 105 mm x 105 mm	100 mm x 105 mm x 105 mm
Peso:	0,5 kg	0,5 kg
Pieza:	Conector de bloque de terminales	Conector de bloque de terminales
Color:	Verde	Verde
Características:	4 pines	4 pines
Cantidad:	2 unidades	2 unidades
Nombre del modelo:	LDMG2IK2	LDMG2IK2W
Tipo:	Accesorios para altavoces de PA	Accesorios para altavoces de PA
Pieza:	Soporte para montaje en pared	Soporte para montaje en pared
Material:	Acero	Acero
Superficie:	Pintura en polvo	Pintura en polvo
Color:	Negro	Blanco
Máx. carga	12 kg	12 kg
Dimensiones (L x A x P):	75 mm x 810 mm x 135 mm	75 mm x 810 mm x 135 mm
Peso:	2,6 kg	2,6 kg
Pieza:	Adaptador de columna	Adaptador de columna
Características:	Compatible con Speakon, conexión de bloque de terminales, rosca M20	Compatible con Speakon, conexión de bloque de terminales, rosca M20



Material:	Aluminio	Aluminio
Superficie:	Pintura en polvo	Pintura en polvo
Color:	Negro	Blanco
Dimensiones (L × A × P):	100 mm × 65 mm × 105 mm	100 mm × 65 mm × 105 mm
Peso:	0,7 kg	0,7 kg

Pieza:	Adaptador de subwoofer	Adaptador de subwoofer
Características:	Compatible con Speakon, conexión de bloque de terminales	Compatible con Speakon, conexión de bloque de terminales

Material:	Aluminio	Aluminio
Superficie:	Pintura en polvo	Pintura en polvo
Color:	Negro	Blanco
Dimensiones (L × A × P):	100 mm × 105 mm × 105 mm	100 mm × 105 mm × 105 mm
Peso:	0,5 kg	0,5 kg

Pieza:	Conector de bloque de terminales	Conector de bloque de terminales
Color:	Verde	Verde
Características:	4 pines	4 pines
Cantidad:	2 unidades	2 unidades

Nombre del modelo:	LDMG2SPS	LDMG2SPSW
--------------------	----------	-----------

Tipo:	Accesorios para altavoces de PA	Accesorios para altavoces de PA
-------	---------------------------------	---------------------------------

Pieza:	Poste	Poste
Material:	Acero	Acero
Superficie:	Pintura en polvo	Pintura en polvo
Color:	Negro	Blanco
Longitud:	500 mm	500 mm
Peso:	1 kg	1 kg

Pieza:	Base de soporte	Base de soporte
Material:	Hierro fundido	Base de soporte
Superficie:	Pintura en polvo	Pintura en polvo
Color:	Negro	Blanco
Diámetro:	450 mm	450 mm
Peso:	9 kg	9 kg

Pieza:	Adaptador de columna	Adaptador de columna
Características:	Compatible con Speakon, conexión de bloque de terminales, rosca M20	Compatible con Speakon, conexión de bloque de terminales, rosca M20
Material:	Aluminio	Aluminio
Superficie:	Pintura en polvo	Pintura en polvo
Color:	Negro	Blanco
Dimensiones (L × A × P):	100 mm × 65 mm × 105 mm	100 mm × 65 mm × 105 mm

Peso:	0,7 kg	0,7 kg
Pieza:	Adaptador de subwoofer	Adaptador de subwoofer
Características:	Compatible con Speakon, conexión de bloque de terminales	Compatible con Speakon, conexión de bloque de terminales
Material:	Aluminio	Aluminio
Superficie:	Pintura en polvo	Pintura en polvo
Color:	Negro	Blanco
Dimensiones (L x A x P):	100 mm x 105 mm x 105 mm	100 mm x 105 mm x 105 mm
Peso:	0,5 kg	0,5 kg

Pieza:	Cable de altavoz	Cable de altavoz
Conectores:	Compatible con Speakon	Compatible con Speakon
Color:	Negro	Negro
Longitud:	5 m	5 m
Peso:	0,9 kg	0,9 kg

Pieza:	Conector de bloque de terminales	Conector de bloque de terminales
Color:	Verde	Verde
Características:	4 pines	4 pines
Cantidad:	2 unidades	2 unidades

## DECLARACIÓN DEL FABRICANTE

### GARANTÍA DEL FABRICANTE Y LIMITACIÓN DE RESPONSABILIDAD

Consulte nuestras condiciones de garantía y limitaciones de responsabilidad en: <http://www.adamhall.com/media/shop/downloads/documents/manufacturersdeclarations.pdf>. En caso de necesitar servicio técnico, póngase en contacto con Adam Hall GmbH, Daimlerstraße 9, 61267 Neu Anspach (Alemania); correo electrónico [Info@adamhall.com](mailto:Info@adamhall.com); +49 (0)6081 / 9419-0.



### ELIMINACIÓN CORRECTA DE ESTE PRODUCTO

(Aplicable en la Unión Europea y en los países europeos que dispongan de un sistema de recogida selectiva) El símbolo que aparece sobre el producto o en la documentación adjunta indica que al final de la vida útil del equipo, no deberá desecharlo con los demás residuos domésticos, con el fin de evitar posibles efectos negativos en el medio ambiente y en la salud humana debidos al vertido incontrolado de desechos. La recogida selectiva ayuda a su posterior reciclaje y fomenta la reutilización sostenible de los componentes de este equipo. Si es un particular, póngase en contacto con el distribuidor donde adquirió este producto, o con el ayuntamiento, para informarse sobre el reciclaje adecuado de este equipo. Si es una empresa, póngase en contacto con su proveedor para informarse sobre los términos y condiciones de su contrato de compra-venta. Este producto no debe mezclarse con otros residuos industriales.

### Conformidad CE

Adam Hall GmbH declara por la presente que este producto es conforme con las siguientes directivas (según sea aplicable):

R&TTE (1999/5/CE) o RED (2014/53/UE) a partir de junio de 2017

Directiva de baja tensión (2014/35/UE)

Directiva EMC (2014/30/UE)

RoHS (2011/65/UE)

Puede consultar la declaración de conformidad completa en [www.adamhall.com](http://www.adamhall.com).

También puede solicitarla a [info@adamhall.com](mailto:info@adamhall.com).

## GRATULUJEMY WYBORU!

To urządzenie zostało zaprojektowane i wyprodukowane przy zastosowaniu najwyższych kryteriów jakościowych w celu zapewnienia wieloletniej bezawaryjnej eksploatacji. Firma LD Systems gwarantuje to swoją marką i wieloletnim doświadczeniem w wytwarzaniu wysokiej jakości produktów audio. Proszę starannie przeczytać niniejszą instrukcję obsługi, aby móc jak najszybciej zacząć użytkować ten produkt marki LD Systems. Dalsze informacje na temat firmy **LD SYSTEMS** dostępne są na naszej stronie internetowej [WWW.LD-SYSTEMS.COM](http://WWW.LD-SYSTEMS.COM)

## ŚRODKI OSTROŻNOŚCI

- Należy dokładnie przeczytać niniejszą instrukcję.
- Wszystkie informacje i instrukcje przechowywać w bezpiecznym miejscu.
- Należy przestrzegać zaleceń.
- Należy przestrzegać wszystkich wskazówek ostrzegawczych. Nie wolno usuwać wskazówek bezpieczeństwa ani innych informacji znajdujących się na urządzeniu.
- Używać urządzenia wyłącznie w sposób zgodny z jego przeznaczeniem.
- Stosować wyłącznie stabilne i pasujące statywy, ew. elementy mocujące (w przypadku instalacji stałych). Należy zadbać o prawidłową instalację uchwytów ściennych i ich odpowiednie zabezpieczenie. Zapewnić bezpieczną instalację urządzenia i upewnić się, że urządzenie nie spadnie.
- Podczas instalacji przestrzegać obowiązujących w danym kraju przepisów bezpieczeństwa.
- Urządzenie instalować i eksploatować z dala od grzejników, zasobników ciepła, pieców i innych źródeł ciepła. Zadbać o zainstalowanie urządzenia w taki sposób, aby zawsze było ono wystarczająco chłodzone i nie mogło ulec przegrzaniu.
- Nie umieszczać na urządzeniu źródeł zapłonu, takich jak np. palące się świece.
- Nie wolno blokować szczelin wentylacyjnych. Unikać bezpośredniego działania promieni słonecznych!
- Nie używać urządzenia w bezpośrednim sąsiedztwie wody (nie dotyczy specjalnych urządzeń do stosowania na zewnątrz – w takim przypadku należy przestrzegać podanych poniżej wskazówek specjalnych). Urządzenie nie może mieć kontaktu z palnymi materiałami, płynami ani gazami.
- Zabezpieczyć urządzenie przed wnikiem wody kapiącej lub przyskającej wody. Nie wolno stawiać na urządzeniu pojemników napełnionych płynami, takich jak wazon czy naczynia z piem.
- Należy zadbać o to, aby do urządzenia nie wpadały żadne przedmioty.
- Urządzenie można eksploatować tylko przy użyciu akcesoriów zalecanych i przewidzianych przez producenta.
- Nie otwierać urządzenia ani nie dokonywać w nim zmian.
- Po podłączeniu urządzenia sprawdzić wszystkie ciągi kablowe, aby zapobiec szkodom lub wypadkom np. w wyniku potknięcia.
- Podczas transportu zadbać o to, aby urządzenie nie upadło, gdyż może to spowodować uszkodzenie mienia i obrażenia ciała.
- Jeśli urządzenie nie działa prawidłowo, do jego wnętrza dostały się płyny lub przedmioty lub jeśli urządzenie zostało uszkodzone w inny sposób, należy je natychmiast wyłączyć i odłączyć od gniazda sieciowego (jeśli urządzenie jest aktywne). Naprawę takiego urządzenia może wykonać tylko autoryzowany personel specjalistyczny.
- Do czyszczenia urządzenia stosować suchą ściereczkę.
- Przestrzegać obowiązujących w danym kraju przepisów dotyczących usuwania odpadów. Podczas utylizacji opakowania oddzielić tworzywo sztuczne od papieru i tektury.
- Worki z tworzywa sztucznego należy przechowywać w miejscu niedostępnym dla dzieci.

## DOTYCZY URZĄDZEŃ Z ZASILANIEM SIECIOWYM

- UWAGA: jeśli kabel sieciowy urządzenia jest wyposażony w zestyk ochronny, należy go podłączyć do gniazda z przewodem uziemiającym. Nigdy nie wolno dezaktywować przewodu uziemiającego kabla sieciowego.
- Nie włączać urządzenia bezpośrednio po narażeniu go na silne wahania temperatury (np. po transporcie). Wilgoć i skropliny mogą uszkodzić urządzenie. Włączyć urządzenie dopiero wtedy, gdy osiągnie temperaturę pokojową.
- Przed podłączeniem urządzenia do gniazda elektrycznego należy sprawdzić, czy napięcie i częstotliwość sieci elektrycznej odpowiada wartościom podanym na urządzeniu. Jeśli urządzenie jest wyposażone w przełącznik napięcia, należy podłączyć je do gniazda tylko wówczas, gdy wartości urządzenia odpowiadają wartościom sieci elektrycznej. Jeśli dołączony kabel sieciowy lub dołączony adapter sieciowy nie pasuje do gniazda elektrycznego, należy skontaktować się z elektrykiem.
- Nie stawiać na kablu sieciowym. Należy zadbać o to, aby kable przewodzące napięcie nie były zagięte przy gnieździe sieciowym, przy adapterze sieciowym ani przy gnieździe urządzenia.
- Przy podłączaniu urządzenia zawsze należy zadbać o to, aby kabel sieciowy lub adapter sieciowy był zawsze łatwo dostępny. Odłączyć urządzenie od źródła zasilania, gdy nie jest ono używane lub gdy ma zostać poddane czyszczeniu. Zawsze należy wyjmować kabel sieciowy i adapter sieciowy z gniazda, chwytając za wtyczkę lub adapter, a nie za kable. Nigdy nie dotykać kabla sieciowego i adaptera sieciowego mokrymi dłońmi.
- W miarę możliwości nie włączać i wyłączać urządzenia w krótkich odstępach czasu, gdyż może to mieć negatywny wpływ na jego żywotność.
- WAŻNA INFORMACJA: bezpieczniki należy wymieniać wyłącznie na bezpieczniki tego samego typu i o takich samych wartościach. Jeśli bezpiecznik stale się przepala, należy skontaktować się z autoryzowanym centrum serwisowym.
- Aby całkowicie odłączyć urządzenie od sieci, należy wyjąć kabel sieciowy lub adapter sieciowy z gniazda.
- Jeśli urządzenie jest wyposażone w przyłącze sieciowe Volex, konieczne jest odblokowanie odpowiedniej wtyczki urządzenia Volex, zanim będzie możliwe jej odłączenie. Oznacza to także, iż w wyniku pociągnięcia za kabel urządzenie może się przesunąć i spaść, co może spowodować obrażenia ciała i/lub inne szkody, dlatego ważne jest, aby przewody były odpowiednio poprowadzone.
- W przypadku zagrożenia uderzeniem pioruna lub jeśli urządzenie przez dłuższy czas nie jest używane, należy wyjąć kabel sieciowy i adapter sieciowy z gniazda.

**UWAGA:**

Nigdy nie zdejmować pokrywy, gdyż grozi to porażeniem prądem. We wnętrzu urządzenia nie ma żadnych części, które mogłyby zostać naprawione bądź poddane czynnościom konserwacyjnym przez użytkownika. Czynności konserwacyjne i naprawy może przeprowadzać wyłącznie wykwalifikowany personel serwisowy.



Trójkąt równoboczny z symbolem błyskawicy sygnalizuje nieizolowane, niebezpieczne napięcie we wnętrzu urządzenia, które może spowodować porażenie prądem.



Trójkąt równoboczny z wykrzyknikiem oznacza ważne wskazówki dotyczące obsługi i konserwacji.



Ostrzeżenie! Ten symbol ostrzega przed gorącymi powierzchniami. Podczas użytkowania niektóre elementy mogą się nagrzać. Urządzenie można dotykać lub transportować dopiero po jego ostygnięciu (po odczekaniu co najmniej 10 minut).



Ostrzeżenie! To urządzenie przeznaczone jest do użytku do maksymalnej wysokości 2000 m n.p.m.



Ostrzeżenie! To urządzenie nie jest przewidziane do użytku w tropikalnych strefach klimatycznych.

**UWAGA! WYSOKI POZIOM GŁOŚNOŚCI PRODUKTÓW AUDIO!**

To urządzenie przewidziane jest do zastosowań profesjonalnych. Komercyjne stosowanie tego urządzenia podlega obowiązującym w danym kraju przepisom i wytycznym dotyczącym zapobiegania wypadkom. Firma Adam Hall jest jako producent zobowiązana do wyraźnego informowania o potencjalnym zagrożeniu dla zdrowia. Utrata słuchu w wyniku wysokiego poziomu głośności i długotrwałego narażenia: podczas stosowania tego produktu może powstawać wysoki poziom ciśnienia akustycznego (SPL), który może doprowadzić do nieodwracalnego uszkodzenia słuchu u artystów, pracowników i widzów. Należy unikać długotrwałego narażenia na wysoki poziom głośności powyżej 90 dB.

**WPROWADZENIE**

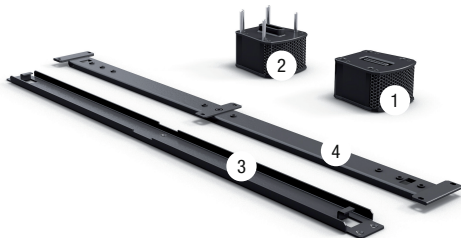
Zestawy montażowe umożliwiają elegancki, dyskretny i elastyczny montaż kolumn głośnikowych serii MAUI G2. W każdym zestawie znajdują się po dwa adaptery. Każdy z nich wyposażony jest w gniazdo kompatybilne ze standardem speakON, złącze śrubowe i gniazdo wielostykowe do połączenia kolumny z subwooferem. Wszystkie zestawy są dostępne w kolorach czarnym lub białym.

**KOMPONENTY****Zestaw instalacyjny do płaskiego montażu ściennego kolumn głośnikowych MAUI11G2 i MAUI28G2**

LDMG2IK1 (czarny)

LDMG2IK1W (biały)

1. Adapter podłączany do kolumny głośnikowej (wyposażony w gniazdo kompatybilne ze standardem speakON, gniazdo śrubowe i złącze śrubowe).
2. Adapter podłączany do subwoofera MAUI G2 (wyposażony w gniazdo kompatybilne ze standardem speakON, gniazdo śrubowe i złącze śrubowe).
3. Szyna montażowa do pionowej instalacji kolumny głośnikowej na ścianie
4. Szyna mocująca przykręcana do kolumny głośnikowej  
(w opakowaniu 1 zestaw śrub do przykręcenia szyny mocującej do kolumny głośnikowej i 1 śruba zabezpieczająca, potrzebne narzędzie: klucze imbusowe 3 mm i 4 mm)

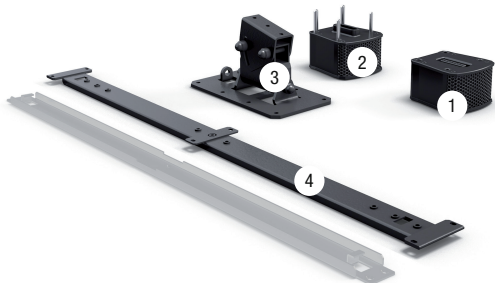


## Zestaw instalacyjny z mechanizmem przechylny-obrotowym do montażu ściennego kolumn głośnikowych MAUI11G2 i MAUI28G2

LDMG2IK2 (czarny)

LDMG2IK2W (biały)

1. Adapter podłączany do kolumny głośnikowej (wyposażony w gniazdo kompatybilne ze standardem speakON, gniazdo śrubowe i złącze śrubowe).
  2. Adapter podłączany do subwoofera MAUI G2 (wyposażony w gniazdo kompatybilne ze standardem speakON, gniazdo śrubowe i złącze śrubowe).
  3. Uchwyt przechylny-obrotowy do pionowej instalacji kolumny głośnikowej na ścianie
  4. Szyna mocująca przykręcana do kolumny głośnikowej (szyna montażowa, wyszarzona na zdjęciu, względów logistycznych znajduje się w zestawie, nie jest jednak potrzebna do tego rodzaju montażu)
- (w opakowaniu 1 zestaw śrub do przykręcenia szyny mocującej do kolumny głośnikowej i 1 śruba zabezpieczająca, potrzebne narzędzie: klucze imbusowe 3 mm i 4 mm)

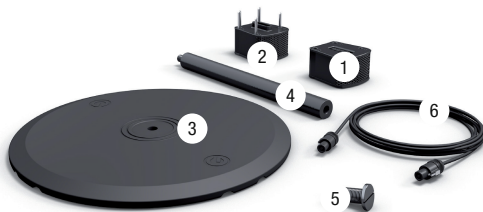


## Zestaw do montażu podstawy kolumn głośnikowych MAUI11G2 i MAUI28G2

LDMG2SPS (czarny)

LDMG2SPSW (biały)

1. Adapter podłączany do kolumny głośnikowej (wyposażony w gniazdo kompatybilne ze standardem speakON, gniazdo śrubowe i złącze śrubowe).
  2. Adapter podłączany do subwoofera MAUI G2 (wyposażony w gniazdo kompatybilne ze standardem speakON, gniazdo śrubowe i złącze śrubowe).
  3. Podstawa do zamontowania drążka dystansowego lub adaptera kolumny
  4. Drążek dystansowy (wysokość 55 cm) z gwintem zewnętrznym M20 na górze i gwintem wewnętrznym M20 na dole
  5. Śruba M20 do połączenia drążka dystansowego lub adaptera kolumny z podstawą
  6. Kabel 4-żyłowy z wtykami kompatybilnymi ze standardem speakON
- (potrzebne narzędzia: duży śrubokręt płaski, klucz imbusowy 3 mm)



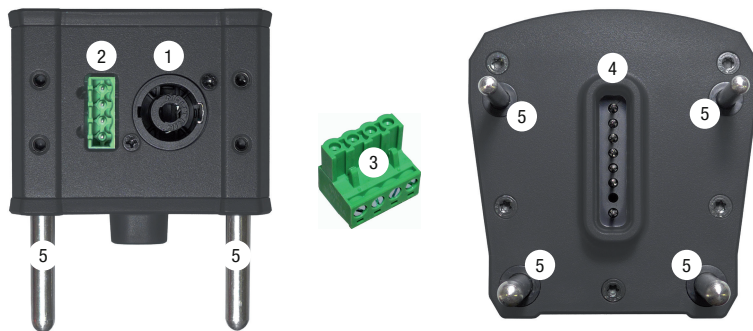
## ADAPTER DO KOLUMNY GŁOŚNIKOWEJ

1. Gniazdo kompatybilne ze standardem speakON do połączenia adaptera kolumny z adapterem subwoofera. Gniazdo kompatybilne ze standardem speakON jest połączone równolegle z gniazdem śrubowym (2).
2. Gniazdo śrubowe do połączenia adaptera kolumny z adapterem subwoofera. Gniazdo śrubowe jest połączone równolegle z gniazdem kompatybilnym ze standardem speakON (1).
3. Złącze śrubowe 4-stykowe.
4. Gwint ze śrubą bez łba (imbus 3 mm) do zatrzęsnięcia tylnych bolców stalowych po założeniu adaptera na kolumnę głośnikową.
5. Gniazdo wielostykowe przekazujące sygnał do kolumny głośnikowej.
6. Otwory prowadzące z gumowymi wkładkami ułatwiające prawidłowy i trwały montaż adaptera na kolumnie głośnikowej.
7. Gwint M20 do połączenia adaptera kolumny z drążkiem dystansowym lub z podstawą.



## ADAPTER DO SUBWOOFERA

1. Gniazdo kompatybilne ze standardem speakON do połączenia adaptera subwoofera z adapterem kolumny. Gniazdo kompatybilne ze standardem speakON jest połączone równolegle z gniazdem śrubowym (2).
2. Gniazdo śrubowe do połączenia adaptera subwoofera z adapterem kolumny. Gniazdo śrubowe jest połączone równolegle z gniazdem kompatybilnym ze standardem speakON (1).
3. Złącze śrubowe 4-stykowe.
4. Gniazdo wielostykowe przekazujące sygnał do kolumny głośnikowej.
5. Stalowe bolce prowadzące, ułatwiające prawidłowy montaż i trwałe połączenie adaptera z subwooferem.



## MONTAŻ ŚCIENNY LDMG2IK1

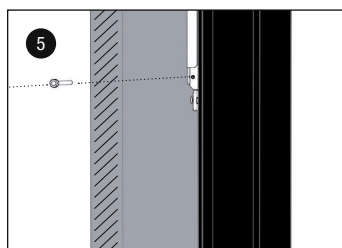
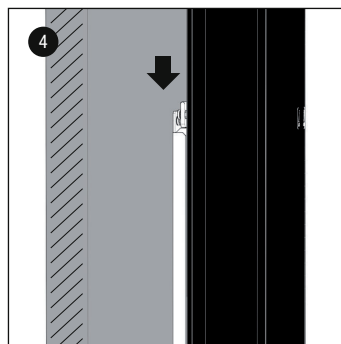
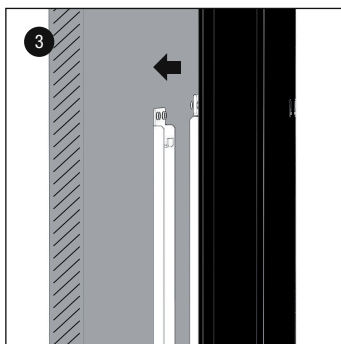
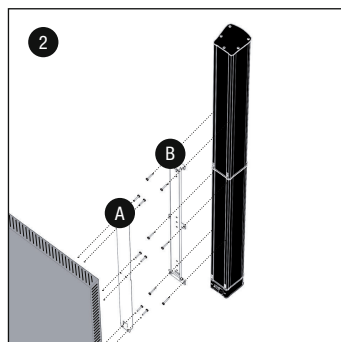
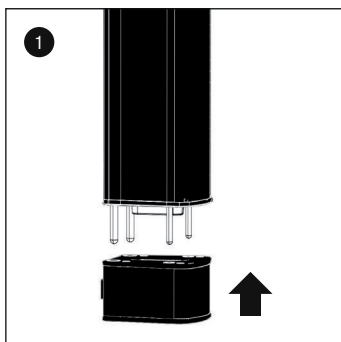
1. Podłącz oba znajdujące się w zestawie złącza śrubowe do 4-żyłowego kabla głośnikowego (4 x 1,5 mm<sup>2</sup>), pamiętając o połączeniu równoległym (oznaczenia widnieją na nadruku adaptera), a następnie umieść wtyki w odpowiednich gniazdach adapterów kolumny głośnikowej i subwoofera. Wsuń adapter od dołu, do oporu, czterema otworami z gumowymi wkładkami do kolumny głośnikowej (w razie potrzeby lekko poluzuj śruby imbusowe w adapterze kluczem imbusowym 3 mm). Zabezpiecz adapter, wkręcając obie śruby bez ła. Automatycznie powstanie kontakt elektryczny zapewniający przekazywanie sygnału do kolumny głośnikowej.

2. Przykręć szynę montażową A pionowo w odpowiednim miejscu do wystarczająco mocnej ściany. Płaską stroną szyny przyłóż do ściany a zaczepy szyny skieruj w górę (6 śrub, napis „THIS SIDE UP” na górze). Użyj odpowiednich śrub, kołków itp. Upewnij się, że szyna została solidnie zamocowana. Uśrń 6 śrub bez ła (imbus 3 mm) z odpowiednich miejsc na tyle kolumny głośnikowej, a następnie przykręć szynę mocującą B płaską stroną do kolumny głośnikowej MAUI G2. Użyj śrub znajdujących się w zestawie (M5 x 10 mm, imbus 4 mm). Pamiętaj, aby koniec szyny z oznaczeniem „THIS SIDE UP” był skierowany w górę.

3. + 4. Nałóż kolumnę głośnikową z przykręconą szyną mocującą na szynę montażową przykręconą do ściany, tak aby zaczepy szyny montażowej znalazły się w zagłębieniach szyny mocującej, dociśnij kolumnę w dół do oporu (ok. 10 mm).

5. Przykręć zawartą w zestawie śrubę zabezpieczającą (M4, imbus 3 mm). Gwint znajduje się na dole szyny mocującej połączonej z kolumną.

6. Zamontuj adapter na subwooferze, wsuwając go od góry stalowymi bolcami. Dociśnij do oporu.



# WYMIARY SZYNY MONTAŻOWEJ

ENGLISH

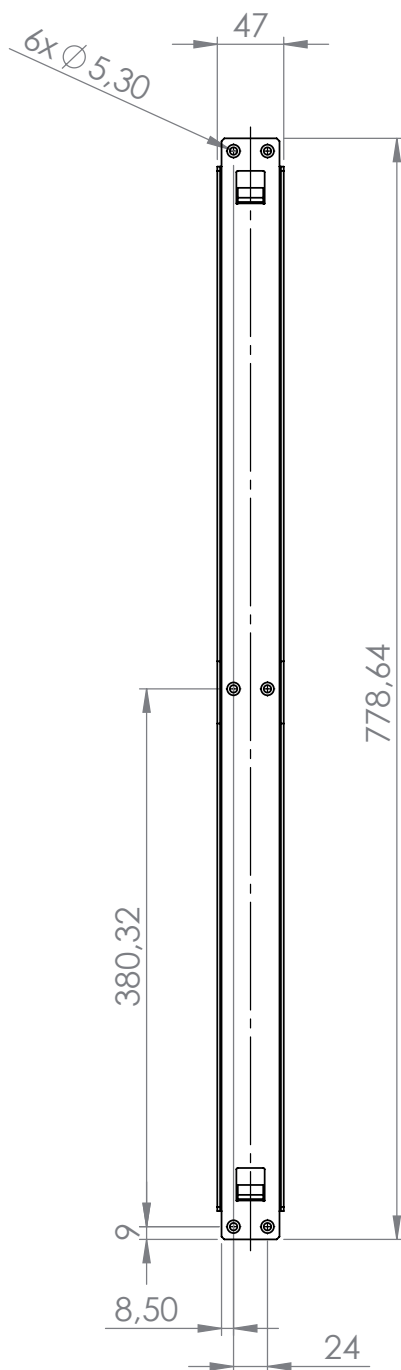
DEUTSCH

FRANCAIS

ESPAÑOL

POLSKI

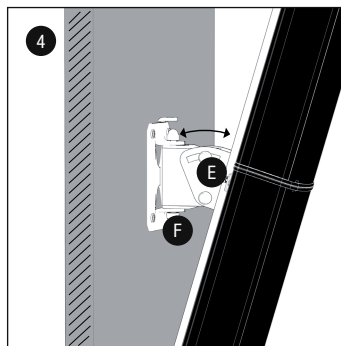
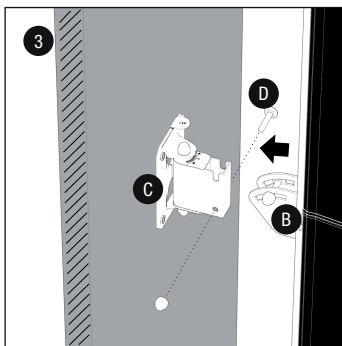
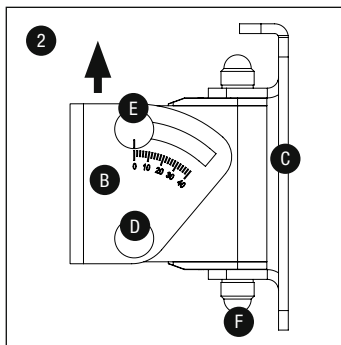
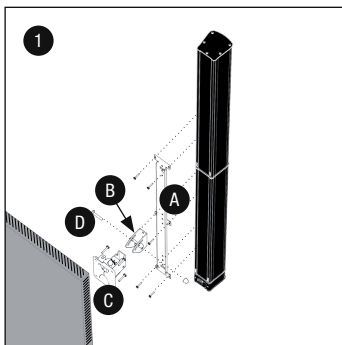
ITALIANO



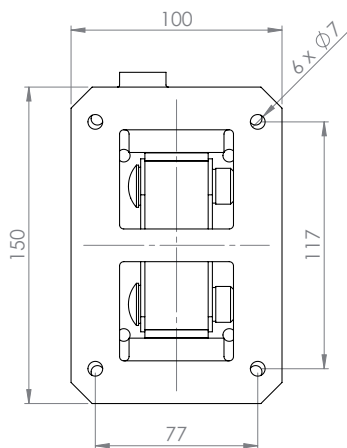


## MONTAŻ ŚCIENNY LDMG2IK2

1. Usuń 6 śrub bez łba (imbus 3 mm) z odpowiednich miejsc na tyle kolumny głośnikowej, a następnie przykręć szynę mocującą A płaską stroną do kolumny głośnikowej MAUI G2. Użyj śrub znajdujących się w zestawie (M5 x 10 mm, imbus 4 mm). Pamiętaj, aby koniec szyny z oznaczeniem „THIS SIDE UP” był skierowany w górę.
2. Lekko poluzuj śrubę E (nie wykręcaj całkowicie), wykręć śrubę D z uchwytu przechylny-obrotowego i wyjmij z niego obejmę B. Przy pomocy 3 zawartych w zestawie śrub (M5 x 10 mm, imbus 4 mm) przykręć obejmę B w wybranym miejscu do szyny mocującej A (aby uzyskać maksymalne przechylenie wybierz najniższą z 3 pozycji – MAUI11G2 = maks. 22°, MAUI28G2 = maks. 12°). Przykręć płytkę montażową C pionowo w odpowiednim miejscu do wystarczająco mocnej ściany (6 śrub). Płaską stroną przyłóż do ściany a ucho zabezpieczające skieruj w górę. Użyj odpowiednich śrub, kołków itp. Upewnij się, że szyna została solidnie zamocowana. Podłącz oba znajdujące się w zestawie złącza śrubowe do 4-żyłowego kabla głośnikowego (4 x 1,5 mm<sup>2</sup>) pamiętając o połączeniu równoległym (oznaczenia widnieją na nadruku adaptera), a następnie umieść wtyki w odpowiednich gniazdach adapterów kolumny głośnikowej i subwoofera. Wsuń adapter od dołu, do oporu, czterema otworami z gumowymi wkładkami do kolumny głośnikowej (w razie potrzeby lekko poluzuj śruby imbusowe w adapterze kluczem imbusowym 3 mm). Zabezpiecz adapter, wkręcając obie śruby bez łba. Automatycznie powstanie kontakt elektryczny zapewniający przekazywanie sygnału do kolumny głośnikowej.
3. Nałóż kolumnę głośnikową z zamontowaną obejmą B na uchwyt przykręcony do ściany, wkręć śrubę D ponownie w przewidziane do tego miejsce i przykręć zdjętą wcześniej nakrętkę.
4. Aby przychylić kolumnę głośnikową w pionie poluzuj nakrętkę śruby E, ustaw odpowiedni kąt nachylenia i dokręć nakrętkę. Do zmiany ustawienia kolumny w poziomie służy śruba F – poluzuj nakrętkę (najpierw zdejmij plastikową nakładkę), ustaw odpowiedni kąt i ponownie dokręć nakrętkę.
5. Zamontuj adapter na subwooferze, wsuwając go od góry stalowymi bolcami. Dociśnij do oporu.

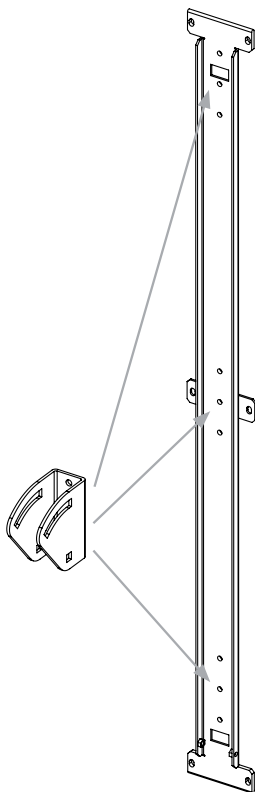


## WYMIARY PŁYTKI MONTAŻOWEJ



## MIEJSCE ZAMOCOWANIA UCHWYTU PRZECHYLNO-OBROTOWEGO

Obejmę uchwyty przechylno-obrotowe można zamontować na jednej z trzech różnych pozycji na szynie mocującej kolumny głośnikowej. Najniższa pozycja umożliwia największy kąt nachylenia wynoszący 22° w przypadku kolumny MAUI11G2 oraz 12° w przypadku kolumny MAUI28G2.



## MONTAŻ LDMG2SPS

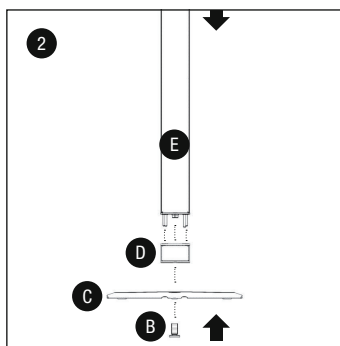
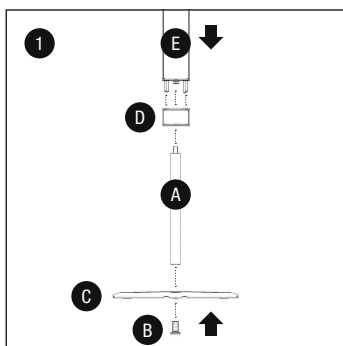
Kolumnę głośnikową MAUI G2 można zamontować na podstawie na dwa sposoby.

### 1. Montaż na podstawie z użyciem drążka dystansowego o długości 55 cm.

Przykręć drążek dystansowy A śrubą specjalną B (z gwintem M20) do podstawy C. Upewnij się, że drążek jest zamocowany solidnie. Przykręć adapter D (z gwintem M20) do oporu do drążka dystansowego. Nałóż kolumnę głośnikową E na adapter (w razie potrzeby lekko poluzuj śruby imbusowe 3 mm bez łoża w adapterze). Stalowe bolce prowadzące ułatwiają prawidłowy montaż i gwarantują trwałe połączenie. Automatycznie powstanie kontakt elektryczny zapewniający przekazywanie sygnału do kolumny głośnikowej. Nałóż adapter 4 stalowymi bolcami na subwoofer i połącz oba adaptery znajdującym się w zestawie kablem głośnikowym (4-żyłowym, z wtykami kompatybilnymi ze standardem speakON).

### 2. Montaż bezpośrednio na podstawie bez drążka dystansowego.

Przykręć adapter D (z gwintem M20) przy pomocy śruby specjalnej B (M20) do podstawy C. Upewnij się, że drążek jest solidnie zamocowany. Nałóż kolumnę głośnikową E na adapter (w razie potrzeby lekko poluzuj śruby imbusowe 3 mm bez łoża w adapterze). Stalowe bolce prowadzące ułatwiają prawidłowy montaż i gwarantują trwałe połączenie. Automatycznie powstanie kontakt elektryczny zapewniający przekazywanie sygnału do kolumny głośnikowej. Nałóż adapter 4 stalowymi bolcami na subwoofer i połącz oba adaptery znajdującym się w zestawie kablem głośnikowym (4-żyłowym, z wtykami kompatybilnymi ze standardem speakON).



## DANE TECHNICZNE

Nazwa modelu:	LDMG2IK1	LDMG2IK1W
Typ:	Akcesoria do głośnika PA	Akcesoria do głośnika PA
Część:	Ścienny wspornik montażowy	Ścienny wspornik montażowy
Materiał:	Stal	Stal
Powierzchnia:	Malowana proszkowo	Malowana proszkowo
Kolor:	Czarny	Biały
Maks. obciążenie	12 kg	12 kg
Wymiary (szer. x wys x głęb.):	75 mm x 810 mm x 15 mm	75 mm x 810 mm x 15 mm
Masa:	1,5 kg	1,5 kg

Część:	Adapter do kolumny	Adapter do kolumny
Charakterystyka:	Zgodność ze złączami Speakon, listwa zaciskowa, gwint M20	Zgodność ze złączami Speakon, listwa zaciskowa, gwint M20
Materiał:	Aluminium	Aluminium
Powierzchnia:	Malowana proszkowo	Malowana proszkowo
Kolor:	Czarny	Biały
Wymiary (szer. x wys x dł.):	100 mm x 65 mm x 105 mm	100 mm x 65 mm x 105 mm
Masa:	0,7 kg	0,7 kg

Część:	Adapter do subwoofera	Adapter do subwoofera
Charakterystyka:	Zgodność ze złączami Speakon, listwa zaciskowa	Zgodność ze złączami Speakon, listwa zaciskowa
Materiał:	Aluminium	Aluminium
Powierzchnia:	Malowana proszkowo	Malowana proszkowo
Kolor:	Czarny	Biały
Wymiary (szer. x wys x dł.):	100 mm x 105 mm x 105 mm	100 mm x 105 mm x 105 mm
Masa:	0,5 kg	0,5 kg

Część:	Listwa zaciskowa	Listwa zaciskowa
Kolor:	Zielony	Zielony
Charakterystyka:	4 styki	4 styki
Liczba:	2 szt.	2 szt.

Nazwa modelu:	LDMG2IK2	LDMG2IK2W
Typ:	Akcesoria do głośnika PA	Akcesoria do głośnika PA
Część:	Ścienny wspornik montażowy	Ścienny wspornik montażowy
Materiał:	Stal	Stal
Powierzchnia:	Malowana proszkowo	Malowana proszkowo
Kolor:	Czarny	Biały
Maks. obciążenie	12 kg	12 kg
Wymiary (szer. x wys x głęb.):	75 mm x 810 mm x 135 mm	75 mm x 810 mm x 135 mm
Masa:	2,6 kg	2,6 kg

Część:	Adapter do kolumny	Adapter do kolumny
Charakterystyka:	Zgodność ze złączami Speakon, listwa zaciskowa, gwint M20	Zgodność ze złączami Speakon, listwa zaciskowa, gwint M20
Materiał:	Aluminium	Aluminium

Powierzchnia:	Malowana proszkowo	Malowana proszkowo
Kolor:	Czarny	Biały
Wymiary (szer. x wys x głęb.):	100 mm x 65 mm x 105 mm	100 mm x 65 mm x 105 mm
Masa:	0,7 kg	0,7 kg
Część:	Adapter do subwoofera	Adapter do subwoofera
Charakterystyka:	Zgodność ze złączami Speakon, listwa zaciskowa	Zgodność ze złączami Speakon, listwa zaciskowa
Materiał:	Aluminium	Aluminium
Powierzchnia:	Malowana proszkowo	Malowana proszkowo
Kolor:	Czarny	Biały
Wymiary (szer. x wys x głęb.):	100 mm x 105 mm x 105 mm	100 mm x 105 mm x 105 mm
Masa:	0,5 kg	0,5 kg
Część:	Listwa zaciskowa	Listwa zaciskowa
Kolor:	Zielony	Zielony
Charakterystyka:	4 styki	4 styki
Liczba:	2 szt.	2 szt.


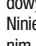
<b>Nazwa modelu:</b>	<b>LDMG2SPS</b>	<b>LDMG2SPSW</b>
Typ:	Akcesoria do głośnika PA	Akcesoria do głośnika PA
Część:	Maszt	Maszt
Materiał:	Stal	Stal
Powierzchnia:	Malowana proszkowo	Malowana proszkowo
Kolor:	Czarny	Biały
Długość:	500 mm	500 mm
Masa:	1 kg	1 kg
Część:	Płyta bazowa	Płyta bazowa
Materiał:	Żeliwo	Płyta bazowa
Powierzchnia:	Malowana proszkowo	Malowana proszkowo
Kolor:	Czarny	Biały
Średnica:	450 mm	450 mm
Masa:	9 kg	9 kg
Część:	Adapter do kolumny	Adapter do kolumny
Charakterystyka:	Zgodność ze złączami Speakon, listwa zaciskowa, gwint M20	Zgodność ze złączami Speakon, listwa zaciskowa, gwint M20
Materiał:	Aluminium	Aluminium
Powierzchnia:	Malowana proszkowo	Malowana proszkowo
Kolor:	Czarny	Biały
Wymiary (szer. x wys x głęb.):	100 mm x 65 mm x 105 mm	100 mm x 65 mm x 105 mm
Masa:	0,7 kg	0,7 kg

Część:	Adapter do subwoofera	Adapter do subwoofera
Charakterystyka:	Zgodność ze złączami Speakon, listwa zaciskowa	Zgodność ze złączami Speakon, listwa zaciskowa
Materiał:	Aluminium	Aluminium
Powierzchnia:	Malowana proszkowo	Malowana proszkowo
Kolor:	Czarny	Biały
Wymiary (szer. x wys x głęb.):	100 mm x 105 mm x 105 mm	100 mm x 105 mm x 105 mm
Masa:	0,5 kg	0,5 kg
Część:	Kabel głośnika	Kabel głośnika
Złącza:	Zgodność ze złączami Speakon	Zgodność ze złączami Speakon
Kolor:	Czarny	Czarny
Długość:	5 m	5 m
Masa:	0,9 kg	0,9 kg
Część:	Listwa zaciskowa	Listwa zaciskowa
Kolor:	Zielony	Zielony
Charakterystyka:	4 styki	4 styki
Liczba:	2 szt.	2 szt.

## DEKLARACJE PRODUCENTA

### GWARANCJA PRODUCENTA I OGRANICZENIE ODPOWIEDZIALNOŚCI

Nasze aktualne warunki gwarancji i informacje dotyczące ograniczenia odpowiedzialności znajdują Państwo na stronie: <http://www.adamhall.com/media/shop/downloads/documents/manufacturersdeclarations.pdf>. W razie konieczności skorzystania z serwisu proszę skontaktować się z firmą Adam Hall GmbH, Daimlerstraße 9, 61267 Neu Anspach / e-mail [Info@adamhall.com](mailto:Info@adamhall.com) / +49 (0)6081 / 9419-0.

 **PRAWDŁOWA UTYLIZACJA NINIEJSZEGO PRODUKTU**  
(Obowiązuje w Unii Europejskiej i innych krajach europejskich stosujących system sortowania odpadów) Niniejszy symbol na produkcie lub  związanych z nim dokumentach wskazuje, iż urządzenie po zakończeniu okresu użytkowania nie może być utylizowane razem ze standardowymi odpadami domowymi, aby uniknąć szkód w środowisku lub szkód na osobie powstałych w wyniku niekontrolowanego usuwania odpadów. Niniejszy produkt należy utylizować oddzielnie od innych odpadów i przekazać do punktu recyklingu w celu ponownego wykorzystania użytych w nim materiałów w ramach idei zrównoważonego rozwoju. Klienci prywatni otrzymują informacje w zakresie przyjaznych dla środowiska możliwości usuwania odpadów od sprzedawcy, u którego produkt został zakupiony, lub w odpowiednich placówkach regionalnych. Użytkownicy będący przedsiębiorcami proszeni są o kontakt ze swoimi dostawcami i ewentualne sprawdzenie uzgodnionych umownie warunków utylizacji urządzeń. Niniejszy produkt nie może być utylizowany razem z innymi odpadami przemysłowymi.

### Deklaracja zgodności CE

Firma Adam Hall GmbH niniejszym oświadcza, że produkt ten jest zgodny z następującymi dyrektywami (o ile mają zastosowanie):  
dyrektywa w sprawie urządzeń radiowych i końcowych urządzeń telekomunikacyjnych (1999/5/WE) lub dyrektywa w sprawie urządzeń radiowych (2014/53/UE) od czerwca 2017 r.  
dyrektywa w sprawie niskonapięciowa (2014/35/UE)  
dyrektywa w sprawie kompatybilności elektromagnetycznej (2014/30/UE)  
dyrektywa w sprawie ograniczenia stosowania niektórych niebezpiecznych substancji w sprzęcie elektrycznym i elektronicznym (2011/65/UE)  
Pełna wersja deklaracji zgodności znajduje się na stronie internetowej [www.adamhall.com](http://www.adamhall.com).  
 Ponadto zapytania w tej sprawie można przesyłać na adres e-mail [info@adamhall.com](mailto:info@adamhall.com).

**AVETE FATTO LA SCELTA GIUSTA!**

Quest'apparecchio è stato sviluppato e prodotto secondo elevati standard qualitativi che garantiscono un funzionamento regolare per molti anni. Per questo motivo LD Systems, con il suo nome e la pluriennale esperienza, rappresenta un'azienda produttrice di prodotti audio di qualità. Leggete attentamente questo manuale d'uso per utilizzare al meglio il vostro nuovo prodotto LD Systems. Per maggiori informazioni su **LD SYSTEMS**, consultate la nostra pagina web [WWW.LD-SYSTEMS.COM](http://WWW.LD-SYSTEMS.COM)

**MISURE PRECAUZIONALI**

1. Leggere attentamente il presente manuale di istruzioni.
2. Conservare tutte le indicazioni e le istruzioni in un luogo sicuro.
3. Seguire le istruzioni.
4. Rispettare tutte le avvertenze. Non rimuovere dal dispositivo le indicazioni sulla sicurezza o altre informazioni.
5. Utilizzare il dispositivo solo nei modi previsti dal manuale.
6. Utilizzare esclusivamente stativi e fissaggi stabili e adatti (per installazioni fisse). Verificare che i supporti a parete siano installati e fissati a regola d'arte. Verificare che il dispositivo sia installato in modo stabile e non possa cadere.
7. Durante l'installazione, osservare le normative sulla sicurezza in vigore nel proprio Paese.
8. Non installare né azionare il dispositivo in prossimità di radiatori, accumulatori termici, stufe o altre fonti di calore. Accertarsi che il dispositivo sia sempre installato in modo che venga raffreddato a sufficienza e non possa surriscaldarsi.
9. Non appoggiare sul dispositivo fonti di combustione, quali candele accese.
10. Le fessure di areazione non devono essere bloccate. Evitare l'esposizione diretta ai raggi solari.
11. Non attivare il dispositivo nelle immediate vicinanze di acqua (questo punto non interessa i dispositivi specifici per l'esterno, per i quali valgono le speciali indicazioni riportate di seguito). Non portare mai il dispositivo a contatto con materiali, liquidi o gas infiammabili.
12. Accertarsi che all'interno del dispositivo non possa penetrare acqua per gocciolamento o spruzzo. Non collocare sul dispositivo oggetti contenenti liquidi, quali vasi, tazze o bicchieri.
13. Assicurarci che non sia possibile la caduta di oggetti nel dispositivo.
14. Azionare il dispositivo esclusivamente con gli accessori appositamente consigliati e previsti dal produttore.
15. Non aprire né modificare il dispositivo.
16. Una volta collegato il dispositivo, verificare tutti i cavi per evitare danni o incidenti, ad esempio per inciampo.
17. Durante il trasporto, assicurarsi che il dispositivo non possa cadere e causare possibili danni a cose e/o persone.
18. Se il dispositivo non funzionasse più correttamente, vi fosse caduto sopra del liquido o un oggetto o fosse stato danneggiato in altro modo, spegnerlo immediatamente e staccare la spina (se si tratta di un dispositivo attivo). La riparazione del dispositivo deve essere affidata esclusivamente a personale qualificato autorizzato.
19. Per la pulizia del dispositivo utilizzare un panno pulito.
20. Rispettare le leggi sullo smaltimento in vigore nel Paese di installazione. Al momento di smaltire l'imballo, separare la plastica dalla carta e dal cartone.
21. I sacchetti di plastica devono essere tenuti lontani dalla portata dei bambini.

**DISPOSITIVI CON ALLACCIAMENTO DI RETE**

22. **ATTENZIONE:** se il cavo di rete è dotato di contatto di protezione, deve essere collegato a una presa di rete con messa a terra. Non disattivare mai la connessione di messa a terra di un cavo di rete.
23. Non accendere il dispositivo subito dopo essere stato sottoposto a forti variazioni di temperatura (ad esempio dopo il trasporto). Umidità e condensa potrebbero danneggiare il dispositivo. Accendere il dispositivo solo dopo che ha raggiunto la temperatura ambiente.
24. Prima di collegare il dispositivo alla presa, controllare innanzitutto se la tensione e la frequenza della rete elettrica coincidono con i valori indicati sul dispositivo stesso. Nel caso di dispositivo munito di selettore di tensione, collegarlo alla presa unicamente se i valori del dispositivo coincidono con quelli della rete elettrica. Se il cavo di rete o l'adattatore di rete forniti in dotazione non sono compatibili con la presa, rivolgersi a un elettricista.
25. Non calpestare il cavo di rete. Accertarsi che i cavi sotto tensione, in particolare della presa di rete o dell'adattatore di rete, non vengano pizzicati.
26. Durante il cablaggio del dispositivo, verificare sempre che il cavo di rete e l'adattatore di rete siano costantemente accessibili. Staccare sempre il dispositivo dall'alimentazione di rete quando non è utilizzato o durante la pulizia. Per staccare dalla presa il cavo di rete e l'adattatore di rete, tirare sempre dalla spina o dall'adattatore e non dal cavo. Non toccare mai il cavo di alimentazione e l'alimentatore con le mani umide.
27. Evitare per quanto possibile di accendere e spegnere velocemente il dispositivo per non pregiudicarne la durata.
28. **NOTA IMPORTANTE:** Sostituire i fusibili esclusivamente con fusibili dello stesso tipo e valore. Se un fusibile continua a saltare, rivolgersi a un centro di assistenza autorizzato.
29. Per staccare completamente il dispositivo dalla rete elettrica, rimuovere il cavo di rete o l'adattatore di rete dalla presa.
30. Per staccare un dispositivo provvisto di presa Volex, è prima necessario sbloccare la relativa spina Volex del dispositivo stesso. Tirando il cavo di rete, però, il dispositivo potrebbe spostarsi e cadere, provocando danni alle persone o di altro genere. Prestare quindi la più scrupolosa attenzione durante la posa dei cavi.
31. In caso di pericolo di caduta di fulmine, o se il dispositivo rimane inutilizzato a lungo, staccare sempre il cavo di rete e l'adattatore di rete dalla presa.

**ATTENZIONE:**

non togliere mai il coperchio di protezione perché sussiste il pericolo di scosse elettriche. L'interno del dispositivo non contiene parti che possono essere riparate o sottoposte a manutenzione da parte dell'utente. Per gli interventi di manutenzione e di riparazione rivolgersi esclusivamente a personale qualificato.



Il triangolo equilatero con il simbolo del lampo segnala la presenza di tensioni pericolose non isolate all'interno dell'apparecchio che possono causare scosse elettriche.



Il triangolo equilatero con punto esclamativo segnala la presenza di importanti informazioni relative all'uso e alla manutenzione.



Avvertimento! Questo simbolo indica superfici calde. Alcune parti della cassa potrebbero scaldarsi durante l'impiego. Dopo aver usato l'apparecchiatura, lasciarla raffreddare per almeno 10 minuti prima di toccarla o trasportarla.



Avvertimento! Questo dispositivo è destinato per l'utilizzo a un'altitudine non superiore ai 2.000 metri sul livello del mare.



Avvertimento! Questo dispositivo non è destinato all'uso nei climi tropicali.

**ATTENZIONE! PRODOTTI AUDIO con LIVELLI SONORI ELEVATI!**

Questo dispositivo è destinato a uso professionale. Il suo utilizzo in ambito commerciale è soggetto alle normative e alle direttive nazionali vigenti in materia di prevenzione di infortuni. In qualità di produttore, Adam Hall è tenuto per legge a informare espressamente gli utenti degli eventuali rischi per la salute. Danni all'udito provocati da un'esposizione prolungata a un livello sonoro elevato: l'utilizzo di questo prodotto può generare elevati livelli di pressione sonora (SPL) che possono provocare danni irreparabili all'udito di artisti, collaboratori e spettatori. Evitare l'esposizione prolungata a livelli sonori elevati, superiori a 90 dB.

**INTRODUZIONE**

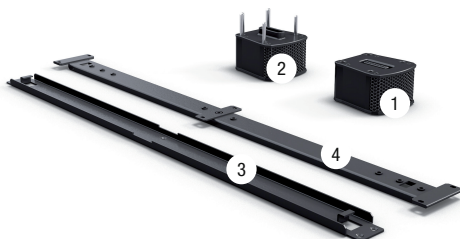
I set di montaggio delle colonne degli altoparlanti della serie MAUI G2 rappresentano una soluzione di montaggio elegante, sobria e flessibile. I set comprendono due adattatori provvisti di presa speakON compatibile, raccordo per morsetteria e presa multipin per il collegamento delle colonne al subwoofer. Tutti i set sono disponibili in bianco o in nero.

**COMPONENTI****Set di installazione per il montaggio piatto a parete delle colonne degli altoparlanti MAUI11G2 e MAUI28G2**

LDMG21K1 (nero)

LDMG21K1W (bianco)

1. Adattatore per il collegamento alla colonna degli altoparlanti (con collegamento speakON compatibile, raccordo per morsetteria e connettore per morsetteria)
  2. Adattatore per il collegamento al subwoofer MAUI G2 (con collegamento speakON compatibile, raccordo per morsetteria e connettore per morsetteria)
  3. Guida di montaggio per il montaggio a parete verticale
  4. Guida di supporto per l'installazione sulla colonna degli altoparlanti
- (Inclusi 1 set di viti per il montaggio della guida di supporto alla colonna degli altoparlanti e 1 vite di sicurezza, attrezzo necessario: brugola da 3 mm e 4 mm)

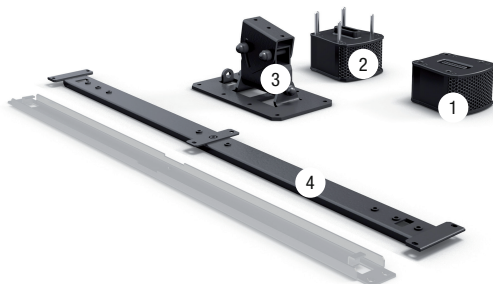




### Set di installazione con meccanismo inclinabile e orientabile per il montaggio a parete delle colonne degli altoparlanti MAUI11G2 e MAUI28G2

LDMG2IK2 (nero)  
LDMG2IK2W (bianco)

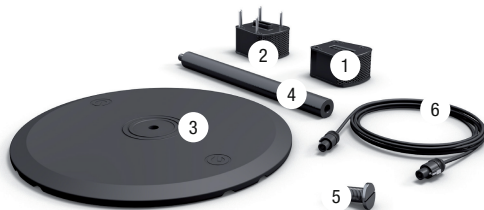
1. Adattatore per il collegamento alla colonna degli altoparlanti (con collegamento speakON compatibile, raccordo per morsetteria e connettore per morsetteria)
  2. Adattatore per il collegamento al subwoofer MAUI G2 (con collegamento speakON compatibile, raccordo per morsetteria e connettore per morsetteria)
  3. Supporto inclinabile e orientabile per il montaggio a parete verticale
  4. Guida di supporto per l'applicazione alla colonna degli altoparlanti (la guida di montaggio, riportata in grigio in figura, è in dotazione per motivi logistici, ma non è necessaria per questa tipologia di montaggio)
- (Incluso 1 set di viti per il montaggio della guida di supporto alla colonna degli altoparlanti e del supporto inclinabile e orientabile alla guida di supporto, attrezzo necessario: brugola da 3 mm e 4 mm)



### Set di piedini per le colonne degli altoparlanti MAUI11G2 e MAUI28G2

LDMG2SPS (nero)  
LDMG2SPSW (bianco)

1. Adattatore per il collegamento alla colonna degli altoparlanti (con collegamento speakON compatibile, raccordo per morsetteria e connettore per morsetteria)
  2. Adattatore per il collegamento al subwoofer MAUI G2 (con collegamento speakON compatibile, raccordo per morsetteria e connettore per morsetteria)
  3. Piedino l'applicazione della barra distanziatrice o dell'adattatore della colonna
  4. Barra distanziatrice (altezza 55 cm) con vite filettata M20 all'estremità superiore e filettatura M20 all'estremità inferiore
  5. Vite M20 per il collegamento della barra distanziatrice o dell'adattatore della colonna al piede di montaggio
  6. Cavo di collegamento a 4 poli con spina di raccordo speakON compatibile
- (attrezzo necessario: grande cacciavite a testa piatta, brugola da 3 mm)



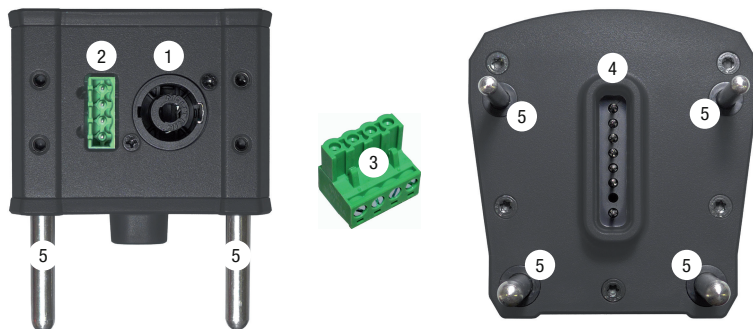
## ADATTATORE PER COLONNA DEGLI ALTOPARLANTI

1. Collegamento speakON compatibile per il collegamento dell'adattatore della colonna all'adattatore del subwoofer. Il collegamento speakON compatibile è collegato in parallelo con il raccordo per morsetti (2).
2. Raccordo per morsetti per il collegamento dell'adattatore della colonna all'adattatore del subwoofer. Il raccordo per morsetti è collegato in parallelo con il collegamento speakON compatibile (1).
3. Connettore per morsetti a 4 poli.
4. Filettatura con vite senza testa (ad esagono incassato da 3 mm) per il bloccaggio dei bulloni d'acciaio posteriori in seguito al collegamento con la colonna degli altoparlanti.
5. Collegamento multipin per il reindirizzamento dei segnali degli altoparlanti per la colonna degli altoparlanti.
6. Fori guida in gomma per il corretto montaggio e il fissaggio alla colonna degli altoparlanti.
7. Filettatura M20 per il collegamento dell'adattatore della colonna con la barra distanziatrice o il piede di montaggio.



## ADATTATORE PER SUBWOOFER

1. Collegamento speakON compatibile per il collegamento dell'adattatore del subwoofer all'adattatore della colonna. Il collegamento speakON compatibile è collegato in parallelo con il raccordo per morsetti (2).
2. Raccordo per morsetti per il collegamento dell'adattatore del subwoofer all'adattatore della colonna. Il raccordo per morsetti è collegato in parallelo con il collegamento speakON compatibile (1).
3. Connettore per morsetti a 4 poli.
4. Collegamento multipin per il reindirizzamento dei segnali degli altoparlanti per la colonna degli altoparlanti.
5. Bulloni di guida in acciaio per il corretto montaggio e il fissaggio al subwoofer.



## MONTAGGIO A PARETE LDMG2IK1

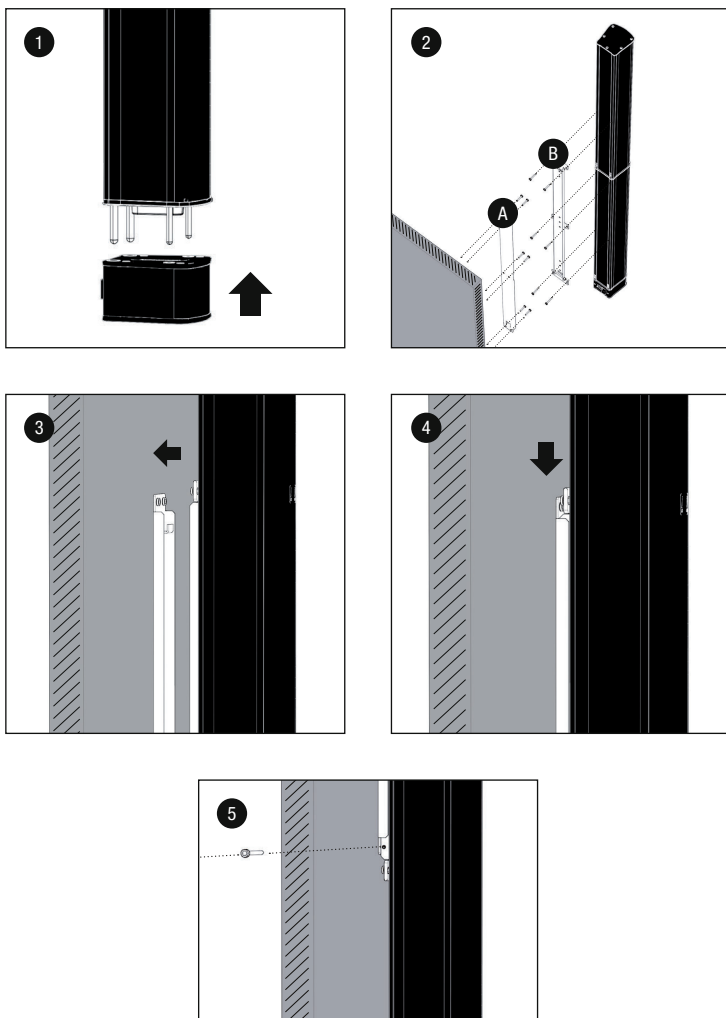
1. Montare i due connettori per morsetteria in dotazione a un cavo per altoparlanti a 4 poli (4 x 1,5 mm<sup>2</sup>), prestando attenzione al collegamento in parallelo (per la configurazione consultare la stampa sull'adattatore) e inserire i connettori nelle apposite prese degli adattatori della colonna degli altoparlanti e del subwoofer. Inserire l'adattatore con i 4 fori gommati dal basso fino all'arresto sulla colonna degli altoparlanti (ev. allentare leggermente le viti senza testa ad esagono incassato da 3 mm dell'adattatore) e fissarlo con le due viti senza testa. Si formerà quindi automaticamente il contatto elettrico per la trasmissione dei segnali alla colonna degli altoparlanti.

2. Avvitare la guida di montaggio A con il lato piatto e la linguetta di supporto orientati verso l'alto nella posizione appropriata, in verticale, a una parete stabile (6 viti, parte contrassegnata con "THIS SIDE UP" rivolta verso l'alto). Utilizzare viti e tasselli adatti e prestare attenzione a loro fissaggio. Rimuovere le 6 viti senza testa (ad esagono incassato da 3 mm) nelle posizioni corrispondenti sul retro della colonna degli altoparlanti e avvitare la guida di supporto B con il lato piatto alla colonna degli altoparlanti MAUI G2 utilizzando le viti in dotazione (M5 x 10 mm, ad esagono incassato da 4 mm). Prestare attenzione alla dicitura "THIS SIDE UP" sulla guida di supporto.

3. + 4. Posizionare la colonna degli altoparlanti con la guida di supporto montata sulla guida di montaggio della parete in modo tale che le linguette di supporto di quest'ultima si aggancino alle rientranze della guida di supporto, quindi spingere la colonna verso il basso fino all'arresto (ca. 10 mm).

5. Fissare il collegamento tramite le vite di sicurezza in dotazione (M4, ad esagono incassato da 3 mm). La filettatura corrispondente si trova sotto alla guida di supporto della colonna degli altoparlanti.

6. Inserire nel subwoofer l'adattatore con i bulloni d'acciaio, dall'alto fino all'arresto.



## MISURE DELLA GUIDA DI MONTAGGIO

ENGLISH

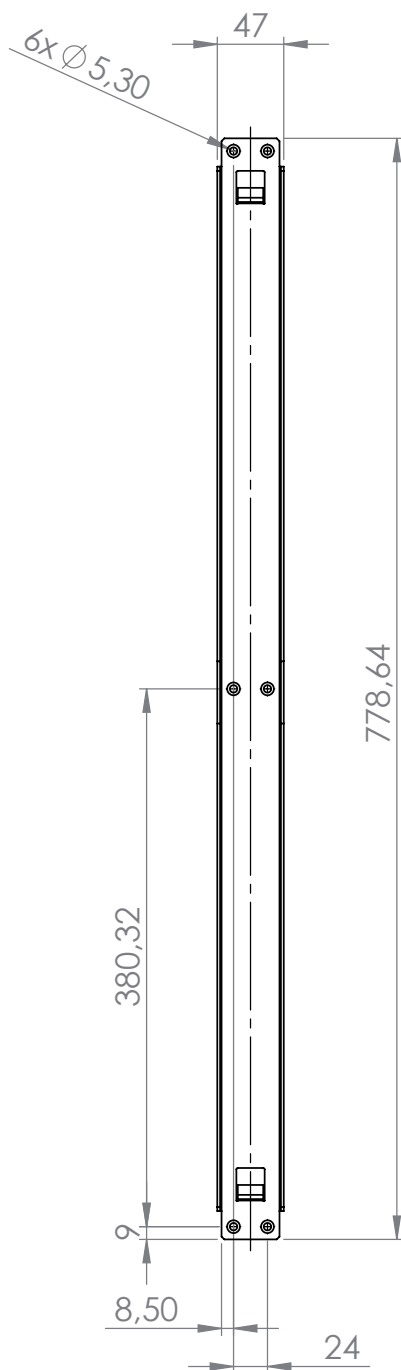
DEUTSCH

FRANCAIS

ESPAÑOL

POLSKI

ITALIANO



## MONTAGGIO A PARETE LDMG2IK2

1. Rimuovere le 6 viti senza testa (ad esagono incassato da 3 mm) dalle relative sedi sul retro della colonna degli altoparlanti e avvitare la guida di supporto A con il lato piatto alla colonna degli altoparlanti MAUI G2 utilizzando le viti in dotazione (M5 x 10 mm, ad esagono incassato da 4 mm). Prestare attenzione alla dicitura "THIS SIDE UP" (Questo lato in alto) sulla guida di supporto.

2. Allentare leggermente la vite E (non rimuoverla), allentare la vite D dal braccio inclinabile e orientabile, rimuoverla e sollevare la staffa a U B dal supporto. Avvitare bene la staffa a U B sulla guida di supporto A nella posizione desiderata utilizzando le 3 viti in dotazione (M5 x 10 mm, ad esagono incassato da 4 mm) (per l'inclinazione massima della posizione più bassa delle 3 utilizzare: MAUI11G2 = max. 22°, MAUI28G2 = max 12°).

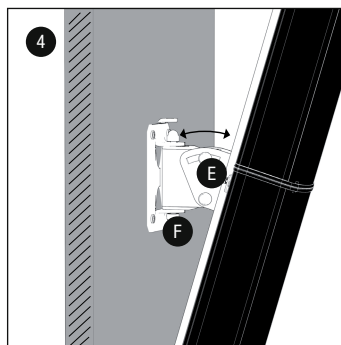
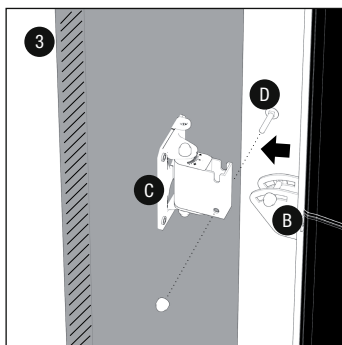
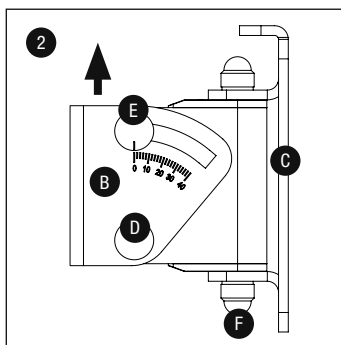
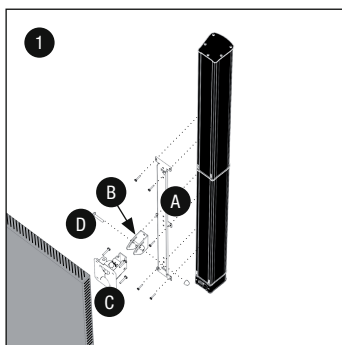
Avvitare la guida di montaggio C con il lato piatto e l'occhiello di sicurezza orientati verso l'alto nella posizione appropriata, in verticale, a una parete stabile (6 viti). Utilizzare viti e tasselli adatti e prestare attenzione al loro fissaggio.

Montare i due connettori per morsetteria in dotazione a un cavo per altoparlanti a 4 poli (4 x 1,5 mm<sup>2</sup>), prestando attenzione al collegamento in parallelo (per la configurazione consultare la stampa sull'adattatore) e inserire i connettori nelle apposite prese degli adattatori della colonna degli altoparlanti e del subwoofer. Inserire l'adattatore con i 4 fori gommati dal basso fino all'arresto sulla colonna degli altoparlanti (ev. allentare leggermente le viti senza testa ad esagono incassato da 3 mm dell'adattatore) e fissarlo con le due viti senza testa. Si formerà quindi automaticamente il contatto elettrico per la trasmissione dei segnali alla colonna degli altoparlanti.

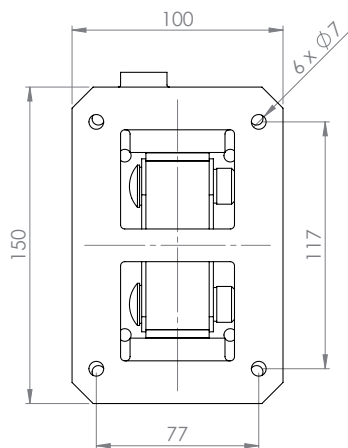
3. Posizionare la colonna degli altoparlanti con la staffa a U montata sul supporto a parete, rimettere la vite D nell'apposita posizione e fissare con il dado precedentemente rimosso.

4. È possibile inclinare in verticale la colonna degli altoparlanti allentando leggermente il dado E, impostando l'angolo desiderato e serrando nuovamente il dado. Per regolare la colonna in orizzontale, allentare leggermente il dado F (rimuovendo prima il cappuccio di plastica), impostare l'angolo desiderato e serrare nuovamente il dado.

5. Inserire nel subwoofer l'adattatore con i bulloni d'acciaio, dall'alto fino all'arresto.

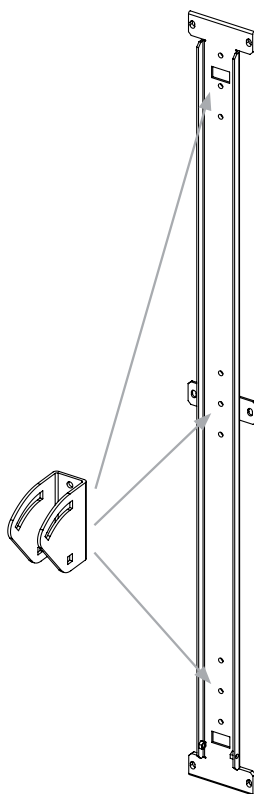


## MISURE DELLA PIASTRA DI MONTAGGIO



## POSIZIONAMENTO DEL SUPPORTO INCLINABILE E ORIENTABILE

La staffa a U del supporto inclinabile e orientabile può essere montata in 3 diverse posizioni sulla guida di supporto della colonna degli altoparlanti. Nella posizione più bassa, il sistema offre un angolo di inclinazione massimo di 22° per la colonna degli altoparlanti MAUI11G2 e di 12° per la colonna degli altoparlanti MAUI28G2.



## MONTAGGIO LDMG2SPS

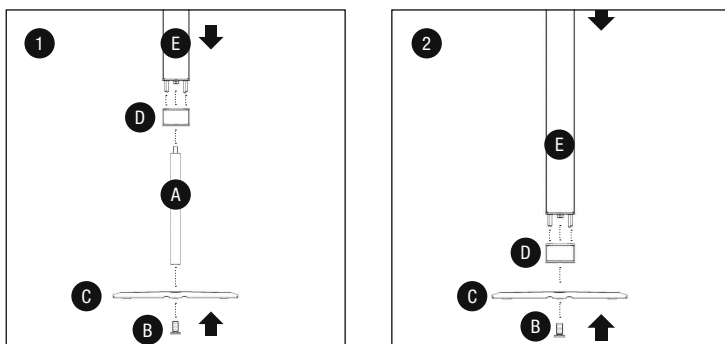
La colonna degli altoparlanti MAUI G2 può essere montata in due modi sul piede di montaggio.

### 1. Montaggio con barra distanziatrice di 55 cm sul piede di montaggio.

Avvitare la barra distanziatrice A con la vite speciale M20 B sul piede di montaggio C, serrandola bene. Avvitare l'adattatore D (con filettatura M20) sulla barra distanziatrice fino all'arresto. Inserire la colonna degli altoparlanti E a filo sull'adattatore (ev. allentare leggermente le viti senza testa ad esagono incassato da 3 mm dell'adattatore). I bulloni di guida in acciaio facilitano il montaggio corretto e garantiscono, allo stesso tempo, un fissaggio stabile. Si formerà quindi automaticamente il contatto elettrico per la trasmissione dei segnali alla colonna degli altoparlanti. Inserire l'adattatore a filo sul subwoofer con i 4 bulloni d'acciaio e collegare entrambi gli adattatori utilizzando il cavo per altoparlanti in dotazione (a 4 poli con connettori speakON compatibili).

### 2. Montaggio diretto sul piede di montaggio, senza barra distanziatrice.

Avvitare l'adattatore D (con filettatura M20) con la vite speciale M20 B sul piede di montaggio C, serrandola bene. Inserire la colonna degli altoparlanti E a filo sull'adattatore (ev. allentare leggermente le viti senza testa ad esagono incassato da 3 mm dell'adattatore). I bulloni di guida in acciaio facilitano il montaggio corretto e garantiscono, allo stesso tempo, un fissaggio stabile. Si formerà quindi automaticamente il contatto elettrico per la trasmissione dei segnali alla colonna degli altoparlanti. Inserire l'adattatore a filo sul subwoofer con i 4 bulloni d'acciaio e collegare entrambi gli adattatori utilizzando il cavo per altoparlanti in dotazione (a 4 poli con connettori speakON compatibili).



## DATI TECNICI

Denominazione modello:	LDMG2IK1	LDMG2IK1W
Tipo:	Accessori per altoparlanti PA	Accessori per altoparlanti PA
Parte:	Staffa a parete	Staffa a parete
Materiale:	Acciaio	Acciaio
Superficie:	Verniciatura a polvere	Verniciatura a polvere
Colore:	Nero	Bianco
Carico max	12 kg	12 kg
Dimensioni (L x H x P):	75 mm x 810 mm x 15 mm	75 mm x 810 mm x 15 mm
Peso:	1,5 kg	1,5 kg
Parte:	Adattatore per colonna	Adattatore per colonna
Caratteristiche:	speakON compatibile, raccordi per morsettiera, filettatura M20	speakON compatibile, raccordi per morsettiera, filettatura M20
Materiale:	Alluminio	Alluminio
Superficie:	Verniciatura a polvere	Verniciatura a polvere
Colore:	Nero	Bianco
Dimensioni (L x H x P):	100 mm x 65 mm x 105 mm	100 mm x 65 mm x 105 mm
Peso:	0,7 kg	0,7 kg
Parte:	Adattatore per subwoofer	Adattatore per subwoofer
Caratteristiche:	speakON compatibile, raccordi per morsettiera, filettatura M20	speakON compatibile, raccordi per morsettiera, filettatura M20
Materiale:	Alluminio	Alluminio
Superficie:	Verniciatura a polvere	Verniciatura a polvere
Colore:	Nero	Bianco
Dimensioni (L x H x P):	100mm x 105mm x 105mm	100mm x 105mm x 105mm
Peso:	0,5 kg	0,5 kg
Parte:	Raccordi per morsettiera	Raccordi per morsettiera
Colore:	Verde	Verde
Caratteristica:	4 poli	4 poli
Quantità:	2 pz.	2 pz.

Denominazione modello:	LDMG2IK2	LDMG2IK2W
Tipo:	Accessori per altoparlanti PA	Accessori per altoparlanti PA
Parte:	Staffa a parete	Staffa a parete
Materiale:	Acciaio	Acciaio
Superficie:	Verniciatura a polvere	Verniciatura a polvere
Colore:	Nero	Bianco
Carico max	12 kg	12 kg
Dimensioni (L x H x P):	75 mm x 810 mm x 135mm	75 mm x 810 mm x 135mm
Peso:	2,6 kg	2,6 kg
Parte:	Adattatore per colonna	Adattatore per colonna
Caratteristiche:	speakON compatibile, raccordi per morsettiera, filettatura M20	speakON compatibile, raccordi per morsettiera, filettatura M20



Materiale:	Alluminio	Alluminio
Superficie:	Verniciatura a polvere	Verniciatura a polvere
Colore:	Nero	Bianco
Dimensioni (L x H x P):	100mm x 65mm x 105mm	100mm x 65mm x 105mm
Peso:	0,7 kg	0,7 kg

Parte:	Adattatore per subwoofer	Adattatore per subwoofer
Caratteristiche:	speakON compatibile, raccordi per morsettiera, filettatura M20	speakON compatibile, raccordi per morsettiera, filettatura M20

Materiale:	Alluminio	Alluminio
Superficie:	Verniciatura a polvere	Verniciatura a polvere
Colore:	Nero	Bianco
Dimensioni (L x H x P):	100mm x 105mm x 105mm	100mm x 105mm x 105mm
Peso:	0,5 kg	0,5 kg

Parte:	Raccordi per morsettiera	Raccordi per morsettiera
Colore:	Verde	Verde
Caratteristica:	4 poli	4 poli
Quantità:	2 pz.	2 pz.

Denominazione modello:	LDMG2SPS	LDMG2SPSW
------------------------	----------	-----------

Tipo:	Accessori per altoparlanti PA	Accessori per altoparlanti PA
-------	-------------------------------	-------------------------------

Parte:	Polo	Polo
Materiale:	Acciaio	Acciaio
Superficie:	Verniciatura a polvere	Verniciatura a polvere
Colore:	Nero	Bianco
Lunghezza:	500 mm	500 mm
Peso:	1 kg	1 kg

Parte:	Piastra di appoggio	Piastra di appoggio
Materiale:	Ghisa	Piastra di appoggio
Superficie:	Verniciatura a polvere	Verniciatura a polvere
Colore:	Nero	Bianco
Diametro:	450 mm	450 mm
Peso:	9 kg	9 kg

Parte:	Adattatore per colonna	Adattatore per colonna
Caratteristiche:	speakON compatibile, raccordi per morsettiera, filettatura M20	speakON compatibile, raccordi per morsettiera, filettatura M20
Materiale:	Alluminio	Alluminio
Superficie:	Verniciatura a polvere	Verniciatura a polvere
Colore:	Nero	Bianco
Dimensioni (L x H x P):	100mm x 65mm x 105mm	100mm x 65mm x 105mm

Peso:	0,7 kg	0,7 kg
Parte:	Adattatore per subwoofer	Adattatore per subwoofer
Caratteristiche:	speakON compatibile, raccordi per morsetti, filettatura M20	speakON compatibile, raccordi per morsetti, filettatura M20
Materiale:	Alluminio	Alluminio
Superficie:	Verniciatura a polvere	Verniciatura a polvere
Colore:	Nero	Bianco
Dimensioni (L x H x P):	100mm x 105mm x 105mm	100mm x 105mm x 105mm
Peso:	0,5 kg	0,5 kg

Parte:	Cavo per altoparlanti	Cavo per altoparlanti
Connettori:	speakON compatibili	speakON compatibili
Colore:	Nero	Nero
Lunghezza:	5 m	5 m
Peso:	0,9 kg	0,9 kg

Parte:	Raccordi per morsetti	Raccordi per morsetti
Colore:	Verde	Verde
Caratteristica:	4 poli	4 poli
Quantità:	2 pz.	2 pz.

## DICHIARAZIONI DEL PRODUTTORE

### MANUFACTURER'S WARRANTY & LIMITATION OF LIABILITY

Le nostre attuali condizioni di garanzia e la limitazione di responsabilità sono consultabili alla pagina: <http://www.adamhall.com/media/shop/downloads/documents/manufacturersdeclarations.pdf>. In caso di assistenza, rivolgersi a Adam Hall GmbH, Daimlerstraße 9, 61267 Neu Anspach / E-mail [Info@adamhall.com](mailto:Info@adamhall.com) / +49 (0)6081 / 9419-0.



### CORRETTO SMALTIMENTO DEL PRODOTTO

(In vigore nell'Unione Europea e in altri Paesi europei in cui si attui la raccolta differenziata) Questo simbolo apposto sul prodotto o sui relativi documenti indica che, per evitare danni all'ambiente e alle persone causati da uno smaltimento incontrollato dei rifiuti, alla fine del suo ciclo di vita l'apparecchio non deve essere smaltito insieme ai normali rifiuti domestici. Il prodotto deve quindi essere smaltito separatamente da altri rifiuti e riciclato nell'ottica dell'incentivazione di cicli economici sostenibili. I clienti privati possono richiedere informazioni sulle possibilità di smaltimento ecosostenibile al rivenditore presso il quale è stato acquistato il prodotto o presso le autorità regionali competenti. I clienti aziendali devono invece contattare il proprio fornitore e controllare le eventuali condizioni contrattuali inerenti allo smaltimento degli apparecchi. Questo prodotto non deve essere smaltito assieme ad altri rifiuti industriali.

### Conformità CE

Con la presente Adam Hall GmbH dichiara che questo prodotto soddisfa le seguenti direttive (ove pertinente):

Direttiva R&TTE (1999/5/CE) e RED (2014/53/UE) da giugno 2017

Direttiva bassa tensione (2014/35/CE)

Direttiva CEM (2014/30/UE)

RoHS (2011/65/UE)

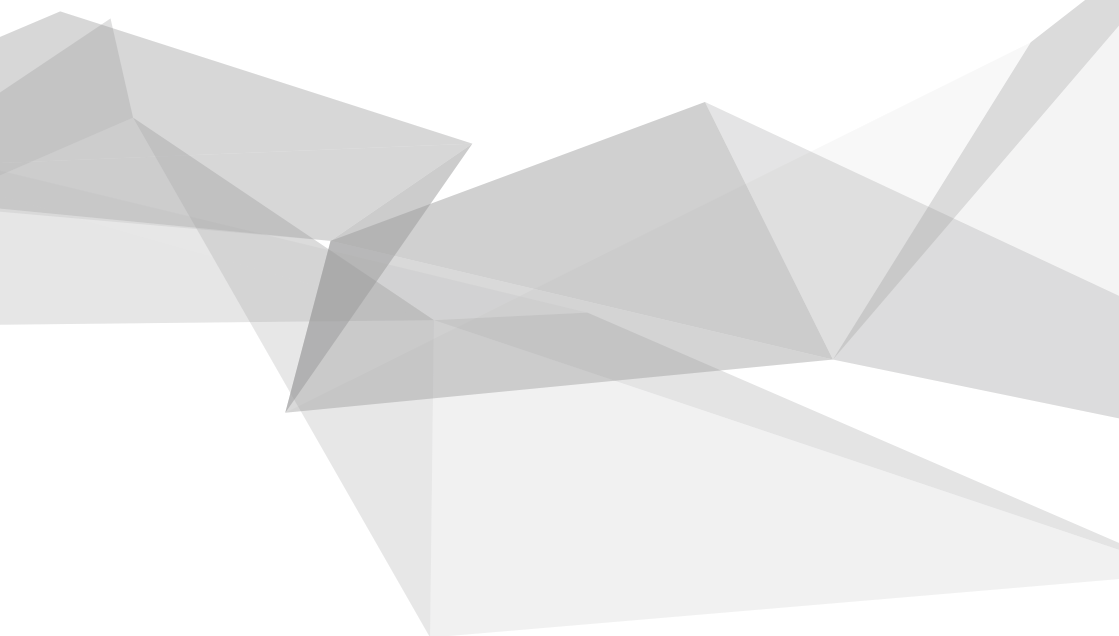
La dichiarazione di conformità completa è reperibile al sito [www.adamhall.com](http://www.adamhall.com).

Per ulteriori informazioni è inoltre possibile scrivere a [info@adamhall.com](mailto:info@adamhall.com).





WWW.LD-SYSTEMS.COM



**Adam Hall GmbH** | Daimlerstrasse 9 | 61267 Neu-Anspach | Germany  
Tel. +49(0)6081/9419-0 | Fax +49(0)6081/9419-1000  
web : [www.adamhall.com](http://www.adamhall.com) | e-mail : [mail@adamhall.com](mailto:mail@adamhall.com)



REV: 01