



INTRODUCTION:

Proven at millions of gigs worldwide, the Mackie DL Series combines the power of a full-featured digital live sound mixer with the unmatched ease-of-use of an iPad.

The 8-channel DL806 features premium hardware like boutique-quality Onyx preamps and Cirrus Logic® converters delivering unparalleled sound quality.

Mackie's class-leading Master Fader control software provides seamless wired-to-wireless control over an amazing amount of professional-grade processing for all inputs and outputs.

Plus, you can control it all wirelessly from up to 20 iOS devices. Truly the ideal digital utility mixer for bands, rehearsal spaces, broadcast and small installations, you get all the benefits of a next-gen console and more at an incredible price with the Mackie DL806.

FEATURES:

- **8-Channel Digital Mixer**
 - Eight Onyx™ mic preamps
 - Six balanced outputs
 - High-end Cirrus Logic® converters
 - Ultra low-noise, high-headroom design
 - Rugged, compact desktop design with iPad® dock
 - Rackmountable with optional kit

- **Flexible Wireless or Docked Control**
 - Mix wirelessly from anywhere in the venue from your iPad
 - o Unmatched wireless control over mix
 - o Supports up to 20 iOS devices at once
 - o Personal monitor mixing via iPhone® or iPod touch®
 - Dock your iPad for added features and security
 - o Creates an integrated, self-contained desktop mixer
 - o Total control over assignable 2-channel recordings for immediate playback and easy exporting
 - o Playback music from any iPad app and incorporate into the mix
 - o Always keep your iPad charged
 - o PadLock™ feature locks down iPad for security
 - o Industry standard Kensington lock secures mixer
 - o iPad Air 2, iPad Air and iPad (4th generation) docking compatibility
 - o Optional iPad mini docking tray available
- **Master Fader Control App**
 - Proven, intuitive workflow that's customizable for your application
 - o Create view groups and see only the channels you need
 - o Unique access limiting hides controls you aren't using
 - Export presets, shows and complete system backups via Dropbox, email and more using iOS system sharing
 - Quick setup with tons of factory and user-definable presets
 - Complete offline operation saves setup time at gig
 - The most frequently updated mixing app on the market
- **Professional, Comprehensive DSP**
 - Packed with more DSP processing than any other compact mixer
 - 10 input channels with 4-band PEQ + HPF, gate and compression
 - o 8 stereo-linkable input channels
 - o 2 stereo-linkable iPad return channels*
 - 10 output busses with 4-band PEQ + HPF/LPF, 31-band GEQ, comp/limiter, alignment delay and RTA
 - o 4 stereo-linkable aux sends
 - o 4 stereo-linkable subgroups*
 - o Main L/R busses
 - 4 VCAs and 4 mute groups
 - 2 stereo FX processors with dedicated sends and returns
 - Choice of powerful, touch-sensitive modern and vintage plug-ins



Like us



Follow us



Watch our dang videos

**iPad return channels and subgroups feature PEQ and compression. Wi-Fi router required for wireless operation. Wi-Fi router and iPad, iPhone or iPod touch not included.*

Master Fader available for free in the App Store. iOS 8.0 or later required for operation.

See Supported Devices on page 3 for complete compatibility information.

DL806 SPECIFICATIONS

General Digital

Sample Rate:	48 kHz
A/D/A Bit Depth:	24-bit
System Latency:	1.5 ms

Frequency Response

All inputs to all outputs:	±0, -1 dB, 20 Hz to 20 kHz
----------------------------	----------------------------

Distortion (THD)

Mic input to main output, 1 kHz, -1 dBFS:	<0.005%
---	---------

Noise / Dynamic Range / Signal-to-Noise Ratio

Equivalent Input Noise (EIN)	
150 Ω termination:	-128 dBu
Mic input to main output (A-weighted)	
Channel and main faders at unity:	-79 dBu
Faders down:	-90 dBu
Crosstalk	
Adjacent inputs:	<-120 dB @ 1 kHz
Outputs:	<-105 dB @ 1 kHz
Phones level pot feedthrough @ minimum travel:	<-75 dB
Signal-to-Noise Ratio (ref +4 dBu, one channel and main fader at unity, A-weighted):	
	92 dB
Dynamic Range (One channel and main fader at unity, A-weighted):	
	109 dB
CMRR:	>70 dB @ 1 kHz (60 dB gain)

Analog Inputs 1-8

Connectors	
1-4:	XLR Balanced
5-8:	Combo XLR / TRS Balanced
XLR Mic Pre:	Onyx
Input Impedance	
1-4:	3 kΩ
5-8:	3 kΩ mic [XLR] 30 kΩ line [1/4"]
Max Input Level	
XLR:	+21 dBu
1/4":	+30 dBu
Gain	
XLR:	0 to 60 dB
1/4":	-20 to 40 dB
48V Phantom Power (XLR):	48 VDC, 10 mA max per mic, with up to eight simultaneously.

Analog Main Out L/R

Connectors:	XLR Balanced
Output Impedance:	600 Ω
Max Output Level:	+21 dBu

Analog Aux Sends 1-4

Connectors:	1/4" TRS Impedance Balanced (Supports balanced / unbalanced operation)
Output Impedance:	240 Ω Balanced 120 Ω Unbalanced
Max Output Level:	+21 dBu

Analog Headphone Out

Connector:	1/4" TRS Stereo
Max Output Level:	+18 dBu into 600 Ω +19.5 dBu max into 100 Ω

Networking

Connector:	100 MB Ethernet
Control:	Complete
Simultaneous Control:	20 iOS Devices



DL806

Digital Live Sound Mixer
with iPad® Control

DL806 SPECIFICATIONS CONTINUED...

Supported Devices

iOS Version Requirement: For optimal performance, we suggest using the latest iOS version [iOS 8.0 minimum]

iPad Version Requirement¹
Wired [Lightning Connector]: iPad (4th generation)²
iPad mini³, iPad mini 2³, iPad mini 3³
iPad mini 4³, iPad Air⁴ and iPad Air 2⁴

Wired [30-pin Connector]: iPad 2², iPad (3rd generation)²

Wireless: All iPad models (except the original iPad),
Future iPad devices⁵

iPhone / iPod touch Version Requirement

Wireless: iPhone 4, iPhone 4S, iPhone 5, iPhone 5s,
iPhone 5c, iPhone 6, iPhone 6s, iPhone 6 Plus,
iPhone 6s Plus, iPod touch (5th generation),
Future iPhone and iPod touch devices⁵

Control Application: [Mackie Master Fader App](#)⁶

DSP

10 input channels with 4-band PEQ + HPF, gate and compression
8 stereo-linkable input channels
2 stereo-linkable iPad channels (PEQ and compression only)

10 output busses with 4-band PEQ + HPF/LPF, 31-band GEQ,
comp/limiter, alignment delay and RTA
4 stereo-linkable aux sends
4 stereo-linkable subgroups (PEQ and compression only)
Main L/R busses

4 VCAs and 4 mute groups

2 stereo FX processors (1 reverb, 1 delay) with dedicated sends
and returns

Modern and Vintage options per processor

¹ The DL806 also works with the original iPad (wired and wirelessly), BUT only with Master Fader V2.1.1 (or less).

² The iPad 2, iPad (3rd generation) and iPad (4th generation) require an iPad 2-3-4 tray for wired connections.

³ The iPad mini requires an iPad mini tray for wired connections. iPad mini trays sold separately.

⁴ The iPad Air and iPad Air 2 require an iPad Air tray for wired connections. iPad Air trays sold separately.

⁵ This assumes, of course, that future iOS devices do not communicate via infrared, radiation, television, sparklers, hoagies, frickin' laser beams, or some other crazy, fandangled new contraption. Even then, we'll still give it the 'ol college try. After all, we do have sharks at the ready.

⁶ <https://itunes.apple.com/us/app/mackie-master-fader/id511500747?mt=8>

Power

Power Consumption:	48 watts max
External Supply	
Power Requirements:	100 VAC – 240 VAC, 50 – 60 Hz Universal Supply
Output Voltage:	12 VDC
Current:	4A
DC Connector:	5.5 mm x 2.5 mm barrel with locking ring
Line Cord:	User-replaceable IEC
Operating Temperature	0 - 40 °C
[extended ambient temperature]:	32 - 104 °F

Physical Properties (packaged product)

Height:	6.1 in / 155 mm
Depth:	18.9 in / 480 mm
Width:	18.1 in / 460 mm
Weight:	11.8 lb / 5.4 kg

Physical Properties (product)

Height (Front):	1.6 in / 40 mm
Height (Rear):	3.7 in / 95 mm
Depth:	15.4 in / 391 mm
Width:	11.5 in / 291 mm
Weight:	6.9 lb / 3.1 kg
Rack:	Nine Rack Spaces [Needs an additional space or two above to allow for connections]

Options

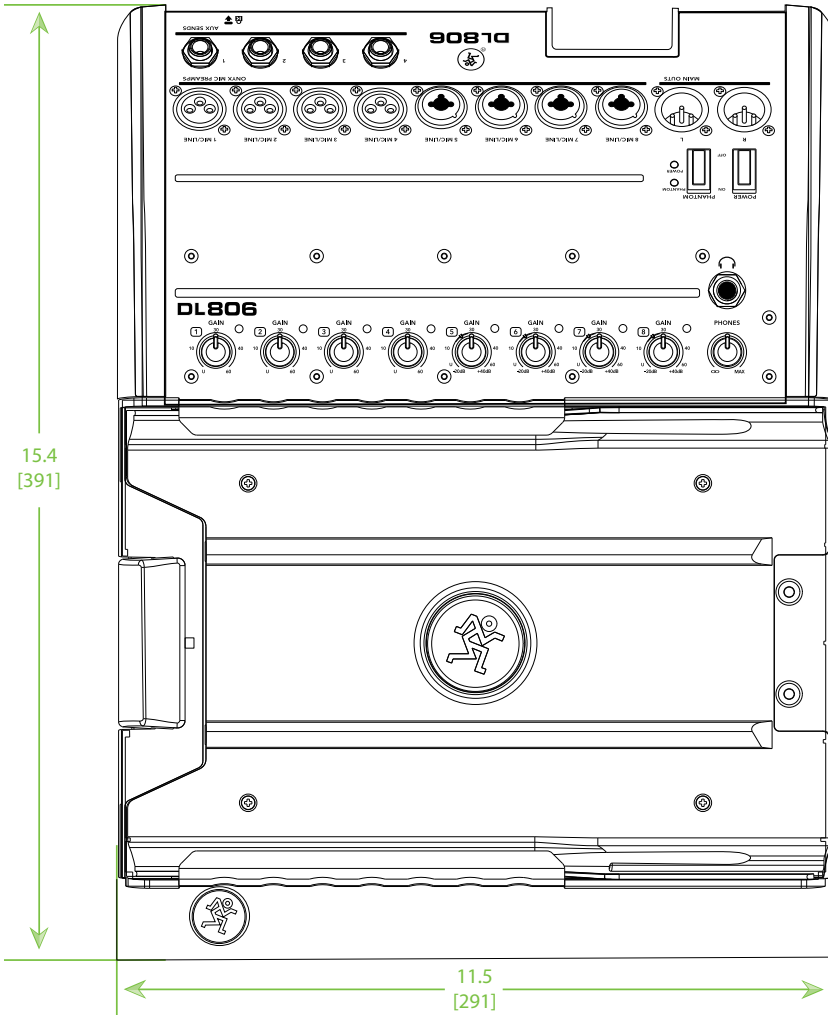
DL806 Rackmount Kit:	P/N 2036840
DL806 Mixer Bag:	P/N 2036809-16
DL806 Mixer Cover:	P/N 2036809-17

Ordering Information

30-Pin Connector DL806 Digital Live Sound Mixer with iPad Control	
US:	P/N 2037371-00
EU:	P/N 2037371-01
CN:	P/N 2037371-05
BZ (~120V):	P/N 2037371-06

Lightning Connector DL806 Digital Live Sound Mixer with iPad Control	
US:	P/N 2042504-00
EU:	P/N 2042504-01
UK:	P/N 2042504-03
CN:	P/N 2042504-05
BZ (~120V):	P/N 2042504-06

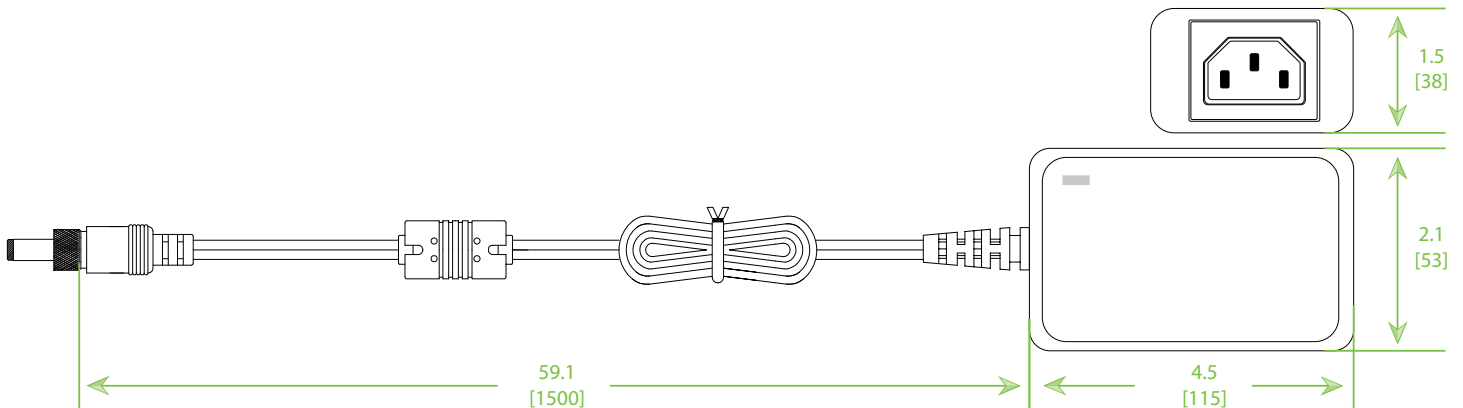
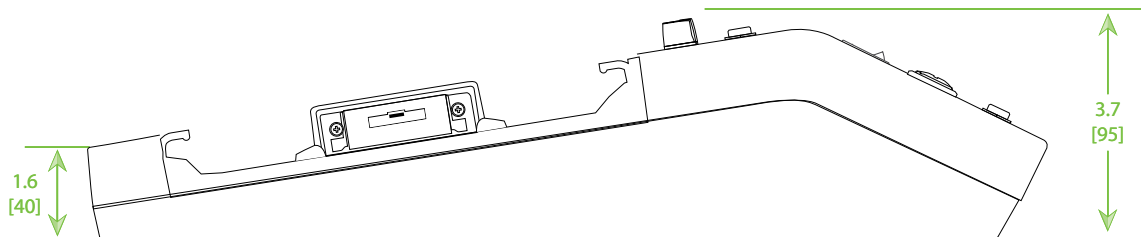
DL806 DIMENSIONS



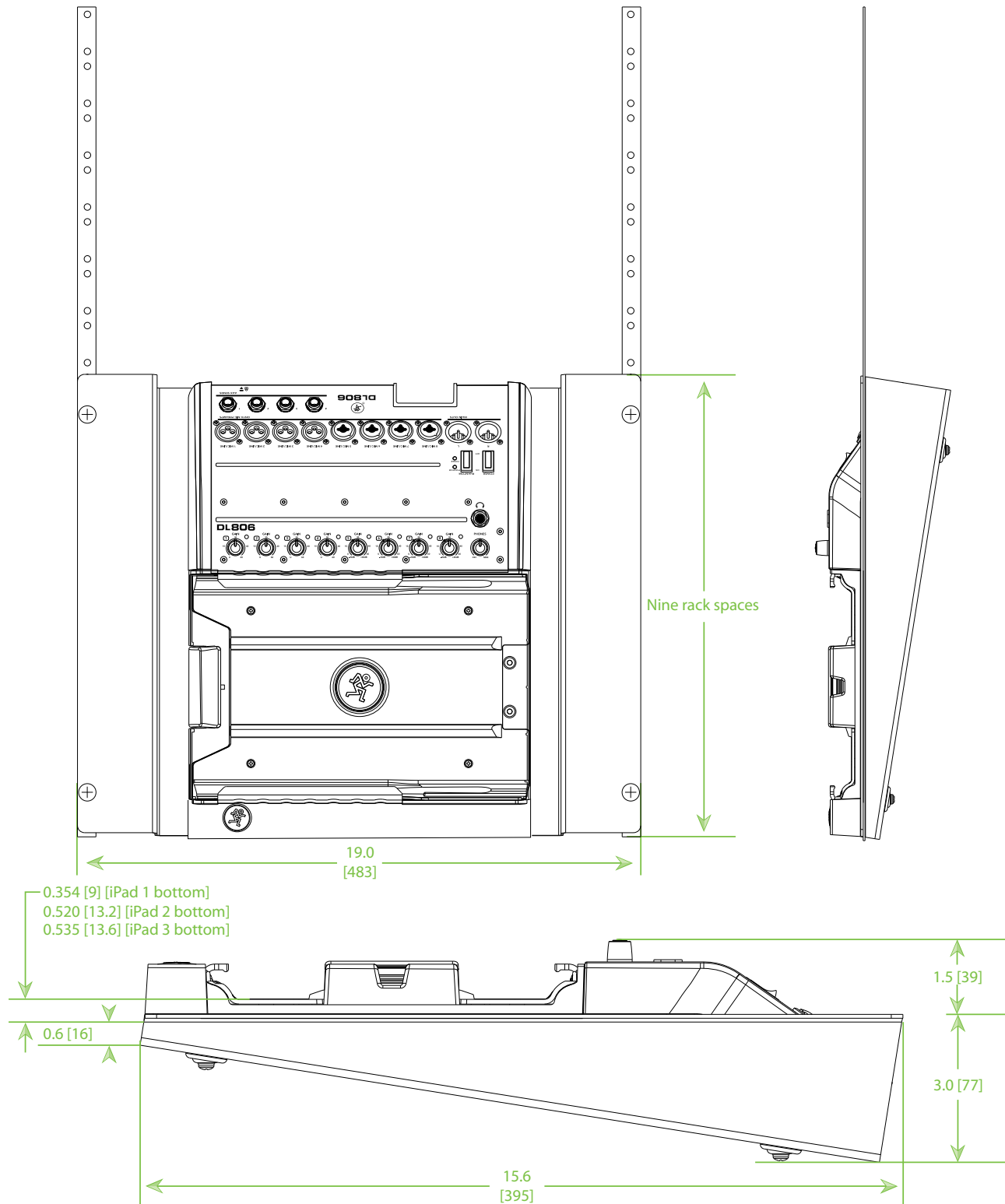
NOTES:

1. WEIGHT APPROX. 6.9 lb [3.1 kg].
2. SHIPPING WEIGHT APPROX. 11.8 lb [5.4 kg].

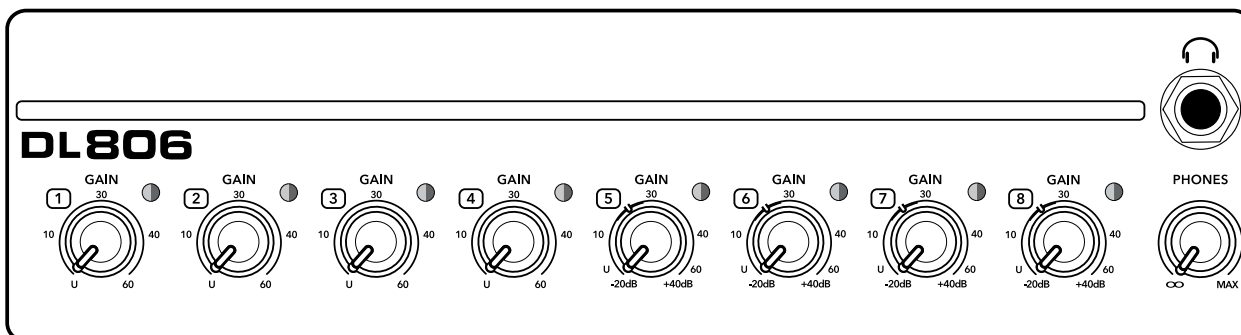
UNLESS OTHERWISE SPECIFIED: ALL DIMENSIONS ARE IN INCHES DUAL [MM] DIMENSIONS FOR REF ONLY



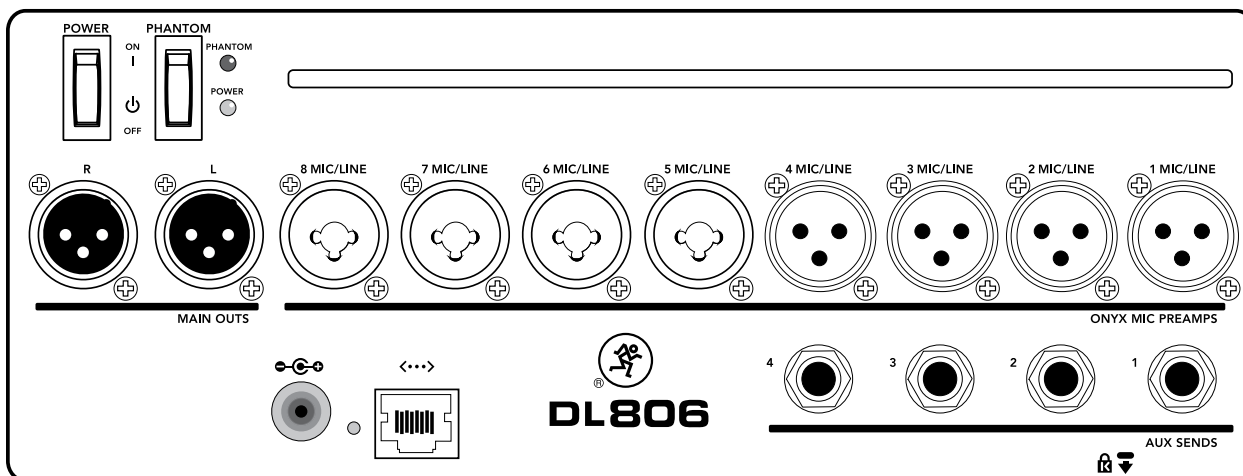
DL806 DIMENSIONS CONTINUED...



DL806 FRONT PANEL



DL806 REAR PANEL



©2015 LOUD Technologies Inc. All rights reserved. Apple and iPad are trademarks of Apple, Inc., registered in the U.S. and other countries. All other marks are Registered Trademarks, or Trademarks, of LOUD Technologies in the United States and other countries. DL806 Patent Pending.

“Made for iPad” means that an electronic accessory has been designed to connect specifically to iPad and has been certified by the developer to meet Apple performance standards. Apple is not responsible for the operation of this device or its compliance with safety and regulatory standards. Please note that the use of this accessory with iPad may affect wireless performance.

LOUD Technologies Inc. is always striving to improve our products by incorporating new and improved materials, components, and manufacturing methods. Therefore, we reserve the right to change these specifications at any time without notice.

Electronic files for this product are available at:
www.mackie.com

Specification Sheet	DL806_SS.PDF
Reference Guide	DLSeries_RG.PDF
Quick Start Guide	DLSeries_QS.PDF



www.mackie.com
16220 Wood-Red Road NE
Woodinville, WA 98072 USA
800-898-3211, Fax 425-487-4337, sales@mackie.com

Part No. SW0964 Rev. D 11/15