

K.2 Series



Yoke Mounting Quick Start Guide

EXPLANATION OF SYMBOLS

The term “**WARNING!**” indicates instructions regarding personal safety. If the instructions are not followed the result may be bodily injury or death.

The term “**CAUTION!**” indicates instructions regarding possible damage to physical equipment. If these instructions are not followed, it may result in damage to the equipment that may not be covered under the warranty.

The term “**IMPORTANT!**” indicates instructions or information that are vital to the successful completion of the procedure.

The term “**NOTE**” is used to indicate additional useful information.



The intent of the lightning flash with arrowhead symbol in a triangle is to alert the user to the presence of un-insulated “dangerous” voltage within the product’s enclosure that may be of sufficient magnitude to constitute a risk of electric shock to humans.



The intent of the exclamation point within an equilateral triangle is to alert the user to the presence of important safety, and operating and maintenance instructions in this manual.



IMPORTANT SAFETY INSTRUCTIONS



WARNING!: These mounting brackets shall only be used with K.2 Series loudspeakers. Use with other apparatus could result in instability and possible injury.

1. Read these instructions.
2. Keep these instructions.
3. Heed all warnings.
4. Follow all instructions.
5. Only use attachments/accessories specified by the manufacturer.
6. Refer all servicing to qualified service personnel. Servicing is required when the apparatus has been damaged in any way, or has been dropped.
7. Adhere to all applicable, local codes.
8. Consult a licensed, professional engineer when any doubt or questions arise regarding a physical equipment installation.
9. Before placing or installing any loudspeaker product, inspect all hardware, cabinets, transducers, brackets and associated equipment for damage. Any missing, corroded, deformed, or non-load rated component could significantly reduce the strength of the installation and should be immediately corrected. Use only hardware which is rated for the loading conditions of the installation and any possible short-term unexpected overloading. Never exceed the rating of the hardware or equipment.



Warranty

For a copy of the QSC Limited Warranty, visit the QSC website at www.qsc.com

Yoke Mounting the K.2 Series Loudspeakers



WARNING!: Read and follow these instructions carefully. If the loudspeakers are not installed properly, they could fall, causing personal injury or death, and damage to the equipment.

Rules for Mounting

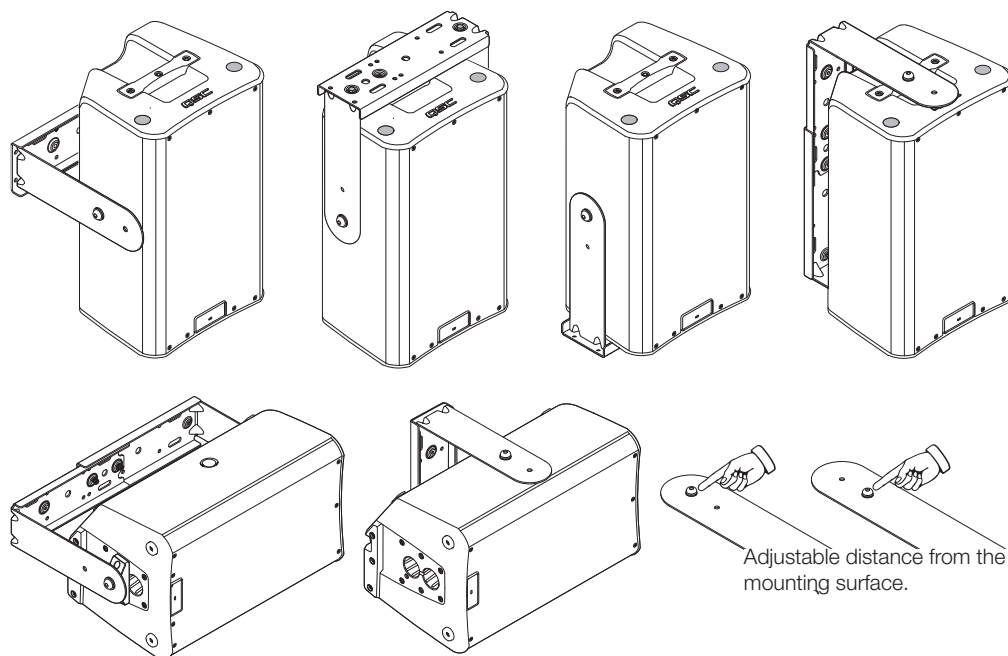
- Consult a Professional Mechanical or Structural Engineer, licensed in the jurisdiction of the sound system installation, to review, verify, and approve all attachments to the building or structure.
- Employ the services of a Professional Rigger for hoisting, positioning, and attaching the equipment to the supporting structure.
- Correct use of all mounting hardware and components is imperative in sound system installation and deployment.
- Consult local codes and regulations to fully understand the requirements for installed loads in the venue in which you will install the equipment.
- Use only the recommended yoke for installing the loudspeaker.
- Be absolutely certain of the integrity of any structural member intended to support the loudspeaker(s). Hidden structural members can have hidden structural weakness.
- Never assume anything! Owner or third-party supplied attachment points may not be adequate for installing the loudspeakers.
- Before lifting, always inspect all components (enclosures, brackets, pins, frames, bolts, nuts, etc.) for cracks, wear, deformation, corrosion, missing, loose, or damaged parts that could reduce the strength of the assembly. Discard any worn, defective, or suspect parts and replace them with new appropriately load-rated parts.

Model	Weight (kg)	Weight (lbs)
K8.2	12.2	27
K10.2	14.5	32
K12.2	17.7	39

Yoke Mounting

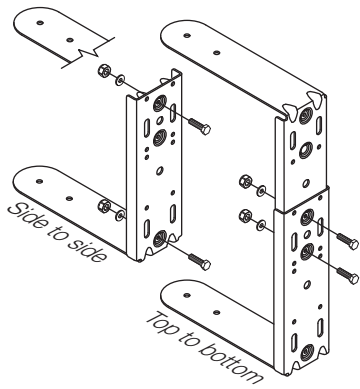
Each model has four yoke-mounting points, one on each side, one on top, and one on the bottom of the enclosure. The bottom mounting point requires the pole-cup adapter included in the Yoke Mounting kit.

Yoke Installation Options

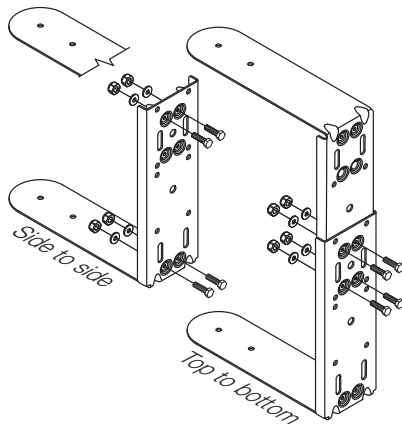
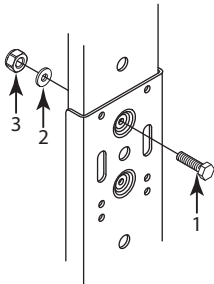


— Figure 1 —

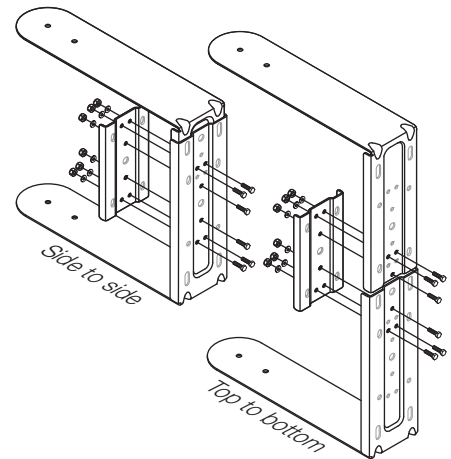
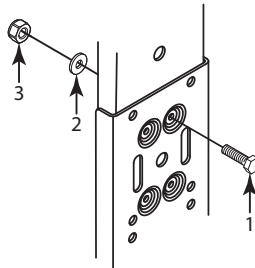
Assemble the Yoke



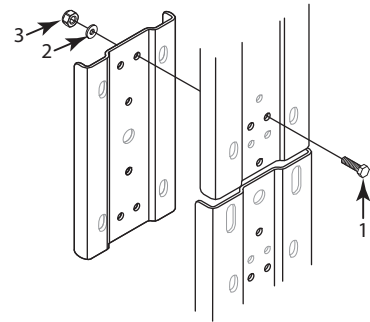
K8.2 – M5x16 mm



K10.2 – M5x16 mm



K12.2 – M6x20 mm



— Figure 2 —



NOTE: Use the connecting plate for both the standard and expanded configurations of model K12.2. The plate provides strength and it's really hard to lose when it's bolted to the wall!

Refer to Figure 2

1. Insert the bolts (1) through both yoke brackets from the back.
2. Install the flat washers (2) onto the bolts.
3. Thread the nuts (3) onto the bolts, then tighten.
4. Make sure that all bolts are tightened. (K8.2 - 2 bolts, K10.2 - 4 bolts, K 12.2 - 6 bolts)

Install the Yoke



WARNING!: Make sure that the installation adheres to all applicable code and regulations. Consult a licensed, professional engineer when any doubt or questions arise regarding a physical equipment installation.

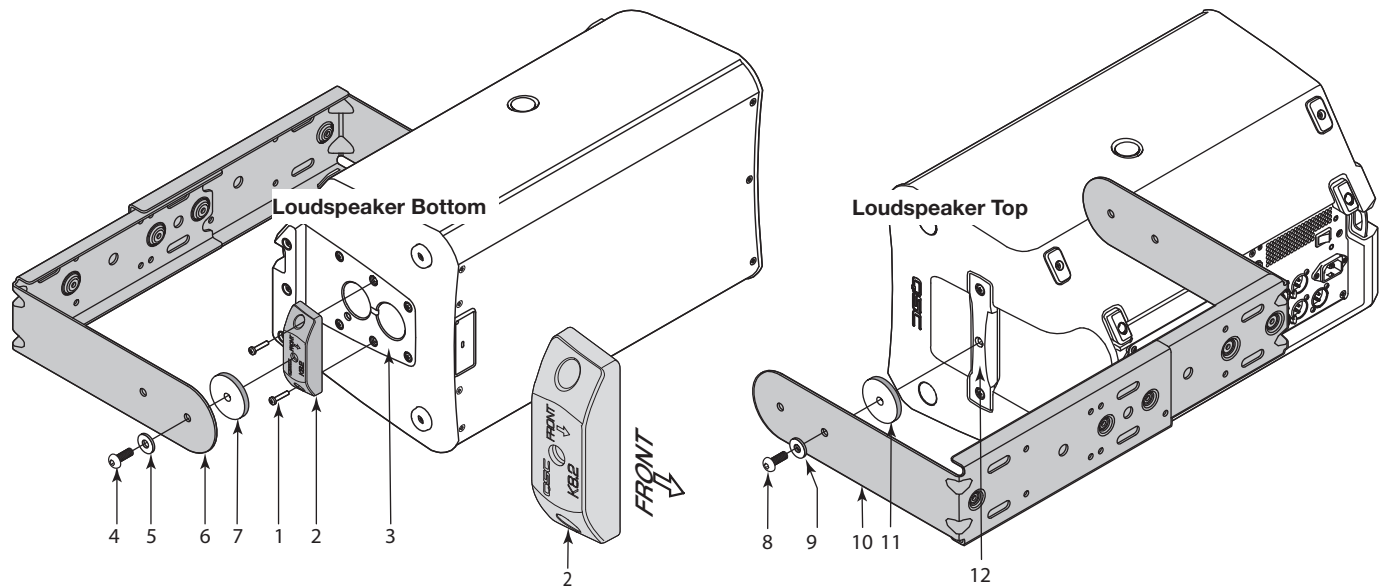
Install the yoke assembly on the desired surface. Attaching hardware is not included.

Attach the Loudspeaker to the Yoke



IMPORTANT!: The illustrations that follow assume that the yoke is already installed on the desired surface.

End to End (top to bottom)



— Figure 3 —

Refer to Figure 3



WARNING!: Use two people to perform the following procedures.

On the bottom of the loudspeaker:

1. Remove two M4 - 20 screws (1) from the pole cup (3).
2. Position the pole-cup adapter (2) with the arrow pointing towards the front of the loudspeaker. (The pole-cup adapter will fit only one way.)



NOTE: The pole-cup adapter for the K10.2 and K12.2 is slightly different than the K8.2 shown in Figure 3.

3. Insert two M4 - 20 mm screws (1), removed earlier, through the pole-cup adapter (2).
4. Position the pole-cup adapter (2) over the two vacant holes in the pole-cup assembly (3).
5. Tighten the screws. Do not overtighten the screws.
6. Insert the M8 - 25 mm button-head screw (4) through the flat washer (5), yoke bracket (6), and spacer (7).
7. Position the loudspeaker into the yoke bracket (6), with the vacant hole in the pole-cup adapter (3) aligned over the bolt, washers, and spacer.
8. Thread the screw into the adapter and use a 5 mm hex key to loosely tighten the screw.

On the top of the loudspeaker:

9. Insert the M8 - 25 mm button-head screw (8) through the flat washer (9), yoke bracket (10), and spacer (11).
10. Align the vacant hole in the loudspeaker's top handle assembly (12) with the yoke bracket (10), button-head screw, washer, and spacer.
11. Thread the screw into the handle and tighten with a 5 mm hex key. Do not overtighten.

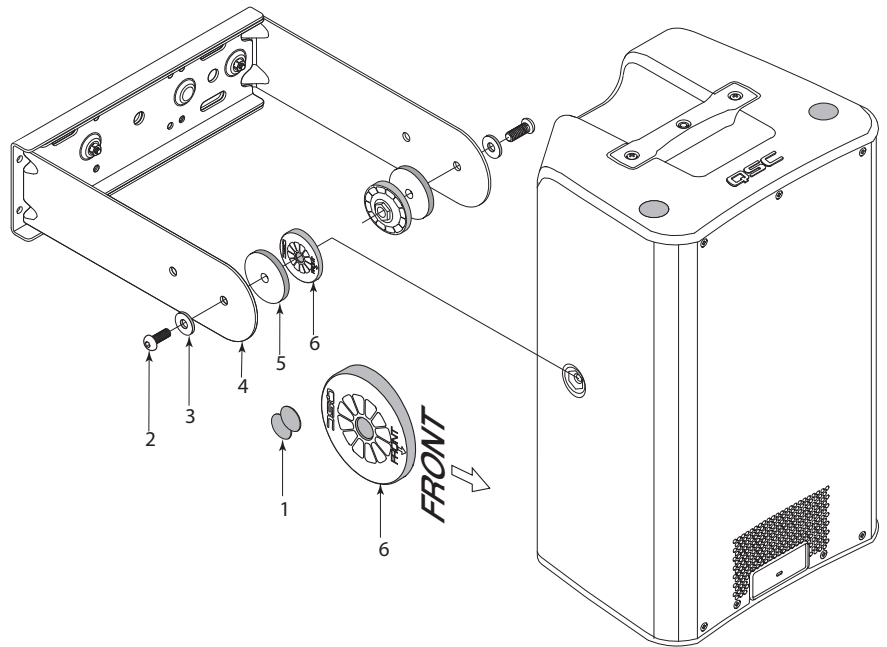
On the bottom of the loudspeaker:

12. Tighten the button-head screw, in the pole-cup adapter. Do not overtighten.

Side to Side

Refer to Figure 4

1. Remove two yoke-mount-point covers (1) from the sides of the loudspeaker enclosure.
2. Insert the M8 - 35 mm button-head screw (2) through the flat washer (3), yoke bracket (4), rubber spacer (5), and mounting adapter (6).
3. Position the mounting adapter (6) so that the arrow is pointing towards the front of the loudspeaker.
4. Thread the M8 - 35 mm button-head screw (2) into the mounting point on the side of the loudspeaker.
5. Repeat the procedure for the other side.
6. Use a 5 mm hex key to tighten both screws. Do not overtighten.



— Figure 4 —

EN

QSC™

Mailing Address

QSC, LLC
1675 MacArthur Boulevard
Costa Mesa, CA
92626-1468 USA

Telephone Numbers

Main Number:
(714) 754-6175
Sales & Marketing:
(714) 957-7100
(800) 854-4079
Toll free (USA only)
Customer Service:
(714) 957-7150
(800) 772-2834
Toll free (USA only)

Facsimile Numbers

Sales & Marketing FAX:
(714) 754-6174
Customer Service FAX:
(714) 754-6173

World Wide Web

www.qsc.com

E-mail

info@qsc.com
service@qsc.com

© 2017 QSC, LLC. All rights reserved. QSC and the QSC logo are registered trademarks of QSC, LLC in the U.S. Patent and Trademark office and other countries. All other trademarks are the property of their respective owners.

<http://patents.qsc.com>.